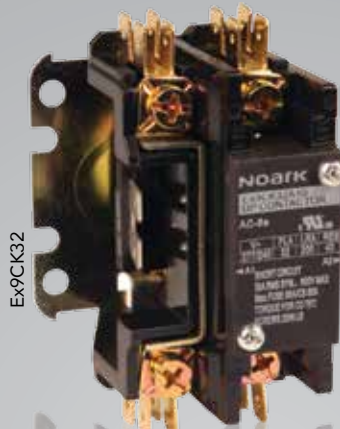


NOARK

Catalog
Contactors and Relays
Ex9C and Ex9RD Series



Ex9CK32



Ex9RD93



Ex9CDS25

NOARK Electric

Electrical Equipment Supplier for Distribution and Control



NOARK Electric is a global supplier of electrical distribution and control products that address a variety of customer needs, ranging from components to intelligent system solutions. Our global product lines include: circuit breakers, contactors, relays and intelligent control. Based in Shanghai, China, NOARK Electric was established in 2007 and covers the globe with regional headquarters in North America and Europe.

Globally, NOARK Electric serves the industrial, commercial, utility and residential markets. In North America, NOARK Electric focuses primarily on industrial OEMs, users and associated channel partners. Our motto is "Excellent Product...Exceptional Value," which NOARK Electric delivers to our customer by maintaining local inventory, providing local sales, customer service and support and manufacturing quality, and aggressively priced products backed by a five-year limited warranty.

Quality Product

- Backed by a 5-year limited warranty*



Exceptional Value

- Reduce the cost of products
- Improve profitability
- Increase margins

Local Support and Local Inventory

- Superb customer service
- Knowledgeable technical support
- Dedicated sales force
- Well-stocked inventory
- North American headquarters

**Limited warranty*

NOARK Electric

International Locations in North America, Europe and China



NOARK Electric North America

NOARK Electric Europe



NOARK Electric Shanghai





Noark Electric

Table of Contents

A Ex9CD IEC Contactors

Product Overview.....	A5
National and International Standards	A6
Product Selection Guide	A7
Products	
Ex9CMS 6~12A Mini FVNR.....	A8-9
Ex9CDS 9~630A Standard FVNR.....	A10-21
Ex9CMR 6~12A Mini FVR	A22-23
Ex9CDR 9~95 Standard FVR.....	A24-30
Specifications	
Ex9CM.....	A31
Ex9CD	A32-33
Dimensions	
Ex9CM.....	A34
Ex9CD	A35-39
Accessories & Coils	A40-44



B Ex9RD Thermal Overload Relays

Product Overview.....	B47
National and International Standards	B48
Product Selection Guide	B49
Products	
Ex9RD 11.5~630A.....	B50-51
Specifications	B52-53
Trip Curves	B54
Dimensions.....	B55-56
Accessories.....	B57



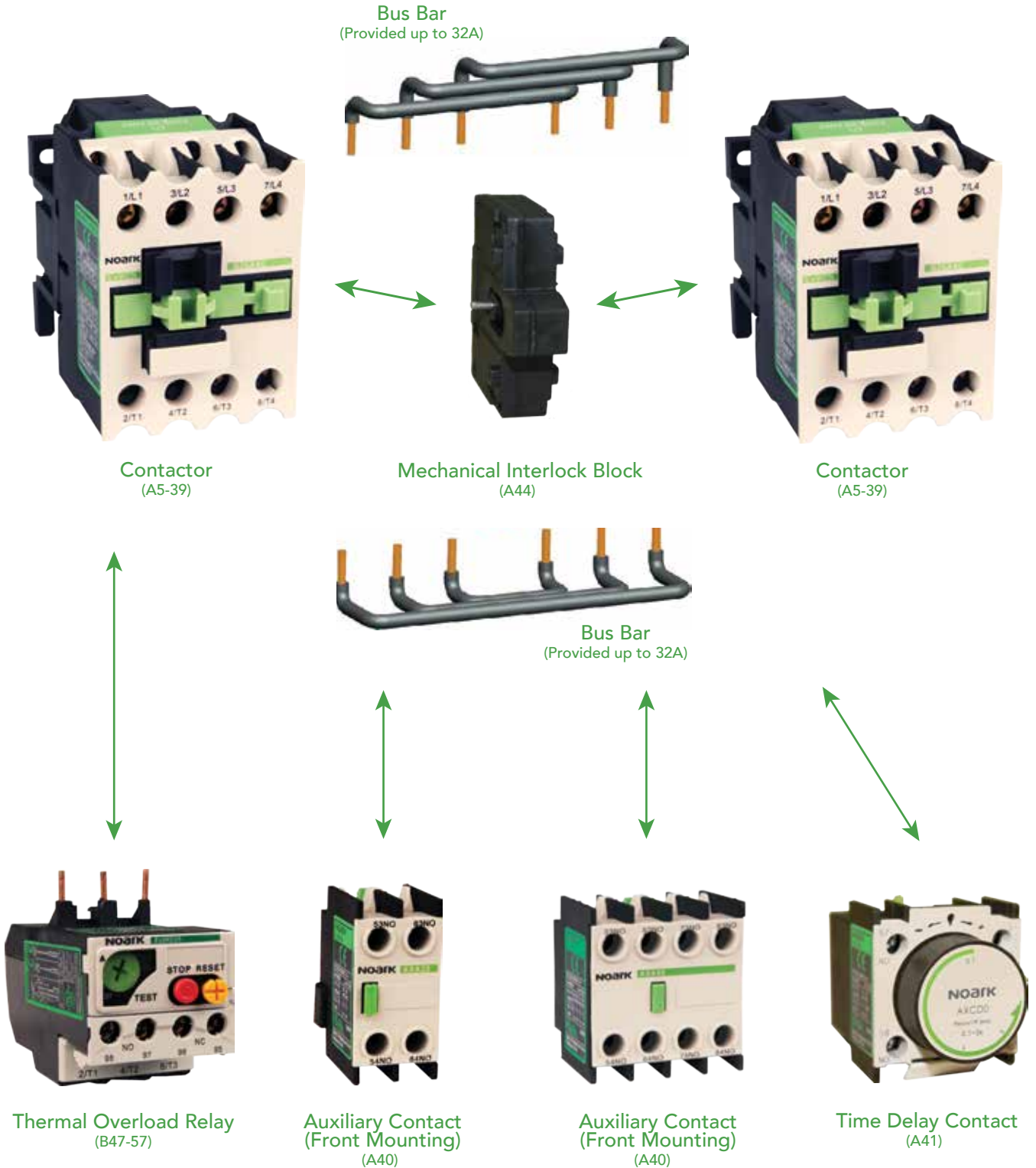
C EX9CK Definite-Purpose Contactors

Product Overview.....	C59
National and International Standards	C60
Product Selection Guide	C61
Products	
Ex9CK 20~90A.....	C62-67
Specifications	C68-69
Accessories.....	C69
Dimensions.....	C70-71





Noark Electric
Cutting Edge Technology



IEC CONTACTORS



Ex9C

Features

- AC-3 contactor ratings from 630A and AC-1 contactor ratings to 800A
- Coil voltages from 24~600 Vac, 50/60 Hz
- Full Voltage Non-Reversing (FVNR) and Full Voltage Reversing (FVR)
- 5 kA @ 600 Vac
- Built-on NO or NC auxiliary contacts to 32A
- IP20 finger and back-of hand safe
- 3 and 4 pole versions including 2NO+2NC and 4NO configurations
- Mount on standard 35mm DIN rail to 95A
- Compatible with Ex9RD thermal overload relays
- Plug-on accessories for reduced installation time
- Coil replacement on standard contactor from 9~630A

IEC Contactors

Ex9C National and International Standards

Certifications

- IEC/EN 60947
- CE Approved
- UL Listed
- CSA Certified
- RoHS Compliant



IEC Contactors

Ex9C Product Selection Guide

Label



- 1 CE Mark
- 2 Brand
- 3 Product Selection
- 4 UL Listed Mark
- 5 Coil Indicator
- 6 AC Coil Voltage
- 7 Frequency

Product Selection Guide

Ex9C	D	S	09	A	30	G	7	A
NOARK Ex9C Series	Type	Function	Rated Current AC-3	Terminal	Poles	AC Coil Voltage	Frequency	Auxiliary Contacts (Side Mounting)
	D: Standard Contactor (9-630A) M: Mini Contactor (9-12A)	S: Full Voltage Non-Reversing (FVNR) R: Full Voltage Reversing (FVR)	06: 6A 09: 9A 12: 12A 18: 18A 25: 25A 32: 32A 40: 40A 50: 50A 65: 65A 80: 80A 95: 95A 115: 115A 150: 150A 185: 185A 225: 225A 265: 265A 330: 330A 400: 400A 500: 500A 630: 630A	A: Screw Terminals	30: 3NO 40: 4NO 22: 2NO+2NC	B: 24V C: 36V D: 42V E: 48V F: 110V G: 120V M: 220V P: 230V U: 240V N: 277V Q: 380V V: 400V R: 440V T: 480V S: 500V Y: 600V	7: 50/60 Hz	A: 1NO Mini Type B: 1NC (6-12A) A: 1NO Standard Type B: 1NC (9-32A) C: 1NO+1NC Standard Type (40-92A) Blank None Standard Type (115-630A)

IEC Contactors

Ex9CMS 6~9A Mini

- Auxiliary contacts are front mounted
- FVNR, 50/60 Hz
- Ratings page A9



Certifications	
IEC/EN 60947-4-1	

6A Mini

9A Mini

Coil Voltage Vac	3 Poles 3NO+1NO • Auxiliary Contact		3 Poles 3NO+1NC • Auxiliary Contact		3 Poles 3NO+1NO • Auxiliary Contact		3 Poles 3NO+1NC • Auxiliary Contact	
	Product	Part Number	Product	Part Number	Product	Part Number	Product	Part Number
24	Ex9CMS06A30B7A	1311137	Ex9CMS06A30B7B	1311113	Ex9CMS09A30B7A	1311233	Ex9CMS09A30B7B	1311209
48	Ex9CMS06A30E7A	1313334	Ex9CMS06A30E7B	1313310	Ex9CMS09A30E7A	1313430	Ex9CMS09A30E7B	1313406
110	Ex9CMS06A30F7A	1311129	Ex9CMS06A30F7B	1311105	Ex9CMS09A30F7A	1311225	Ex9CMS09A30F7B	1311201
120	Ex9CMS06A30G7A	1311131	Ex9CMS06A30G7B	1311107	Ex9CMS09A30G7A	1311227	Ex9CMS09A30G7B	1311203
220	Ex9CMS06A30M7A	1313328	Ex9CMS06A30M7B	1313304	Ex9CMS09A30M7A	1313424	Ex9CMS09A30M7B	1313400
230	Ex9CMS06A30P7A	1311133	Ex9CMS06A30P7B	1311109	Ex9CMS09A30P7A	1311229	Ex9CMS09A30P7B	1311205
240	Ex9CMS06A30U7A	1311135	Ex9CMS06A30U7B	1311111	Ex9CMS09A30U7A	1311231	Ex9CMS09A30U7B	1311207
277	Ex9CMS06A30N7A	1313336	Ex9CMS06A30N7B	1313312	Ex9CMS09A30N7A	1313432	Ex9CMS09A30N7B	1313408
380	Ex9CMS06A30Q7A	1313330	Ex9CMS06A30Q7B	1313306	Ex9CMS09A30Q7A	1313426	Ex9CMS09A30Q7B	1313402
440	Ex9CMS06A30R7A	1313332	Ex9CMS06A30R7B	1313308	Ex9CMS09A30R7A	1313428	Ex9CMS09A30R7B	1313404
480	Ex9CMS06A30T7A	1311139	Ex9CMS06A30T7B	1311115	Ex9CMS09A30T7A	1311235	Ex9CMS09A30T7B	1311211
600	Ex9CMS06A30Y7A	1313326	Ex9CMS06A30Y7B	1313302	Ex9CMS09A30Y7A	1313422	Ex9CMS09A30Y7B	1313398

Coil Voltage Vac	4 Poles (4NO)		4 Poles (2NO+2NC)		4 Poles (4NO)		4 Poles (2NO+2NC)	
	Product	Part Number	Product	Part Number	Product	Part Number	Product	Part Number
24	Ex9CMS06A40B7	1311065	Ex9CMS06A22B7	1311089	Ex9CMS09A40B7	1311161	Ex9CMS09A22B7	1311185
48	Ex9CMS06A40E7	1313262	Ex9CMS06A22E7	1313286	Ex9CMS09A40E7	1313358	Ex9CMS09A22E7	1313382
110	Ex9CMS06A40F7	1311057	Ex9CMS06A22F7	1311081	Ex9CMS09A40F7	1311153	Ex9CMS09A22F7	1311177
120	Ex9CMS06A40G7	1311059	Ex9CMS06A22G7	1311083	Ex9CMS09A40G7	1311155	Ex9CMS09A22G7	1311179
220	Ex9CMS06A40M7	1313256	Ex9CMS06A22M7	1313280	Ex9CMS09A40M7	1313352	Ex9CMS09A22M7	1313376
230	Ex9CMS06A40P7	1311061	Ex9CMS06A22P7	1311085	Ex9CMS09A40P7	1311157	Ex9CMS09A22P7	1311181
240	Ex9CMS06A40U7	1311063	Ex9CMS06A22U7	1311087	Ex9CMS09A40U7	1311159	Ex9CMS09A22U7	1311183
277	Ex9CMS06A40N7	1313264	Ex9CMS06A22N7	1313288	Ex9CMS09A40N7	1313360	Ex9CMS09A22N7	1313384
380	Ex9CMS06A40Q7	1313258	Ex9CMS06A22Q7	1313282	Ex9CMS09A40Q7	1313354	Ex9CMS09A22Q7	1313378
440	Ex9CMS06A40R7	1313260	Ex9CMS06A22R7	1313284	Ex9CMS09A40R7	1313356	Ex9CMS09A22R7	1313380
480	Ex9CMS06A40T7	1311067	Ex9CMS06A22T7	1311091	Ex9CMS09A40T7	1311163	Ex9CMS09A22T7	1311187
600	Ex9CMS06A40Y7	1313254	Ex9CMS06A22Y7	1313278	Ex9CMS09A40Y7	1313350	Ex9CMS09A22Y7	1313374



Compatible with **Ex9RD11.5 Thermal Overload Relay**
 Refer to page B50 for details
 For accessories, see pages A40-44

IEC Contactors

Ex9CMS 12A Mini

- Auxiliary contacts are front mounted
- FVNR, 50/60 Hz



Certifications
 IEC/EN 60947-4-1
 

12A Mini

Coil Voltage Vac	3 Poles 3NO+1NO • Auxiliary Contact		3 Poles 3NO+1NC • Auxiliary Contact		Ratings		6A	9A	12A
	Product	Part Number	Product	Part Number	UL/CSA (A)	General Purpose	20		
24	Ex9CMS12A30B7A	1311329	Ex9CMS12A30B7B	1311305	Single-Phase (hp)	110/120 V	0.3	0.5	0.75
48	Ex9CMS12A30E7A	1313526	Ex9CMS12A30E7B	1313502		230/240 V	0.75	1.5	2
110	Ex9CMS12A30F7A	1311321	Ex9CMS12A30F7B	1311297	Three-Phase (hp)	200/208 V	1.5	3	
120	Ex9CMS12A30G7A	1311323	Ex9CMS12A30G7B	1311299		230/240 V			
220	Ex9CMS12A30M7A	1313520	Ex9CMS12A30M7B	1313496		460/480 V	3	5	7.5
230	Ex9CMS12A30P7A	1311325	Ex9CMS12A30P7B	1311301	575/600 V	10			
240	Ex9CMS12A30U7A	1311327	Ex9CMS12A30U7B	1311303	IEC (A)	AC-3 le	6	9	12
277	Ex9CMS12A30N7A	1313528	Ex9CMS12A30N7B	1313504		AC-1 le	20		
380	Ex9CMS12A30Q7A	1313522	Ex9CMS12A30Q7B	1313498	AC-3 (kw)	220/230/240 V	1.5	2.2	3
440	Ex9CMS12A30R7A	1313524	Ex9CMS12A30R7B	1313500		380/400 V	2.2	4	5.5
480	Ex9CMS12A30T7A	1311331	Ex9CMS12A30T7B	1311307		415 V			
600	Ex9CMS12A30Y7A	1313518	Ex9CMS12A30Y7B	1313494		600/690 V	3		4

Coil Voltage Vac	4 Poles (4NO)		4 Poles (2NO+2NC)	
	Product	Part Number	Product	Part Number
24	Ex9CMS12A40B7	1311257	Ex9CMS12A22B7	1311281
48	Ex9CMS12A40E7	1313454	Ex9CMS12A22E7	1313478
110	Ex9CMS12A40F7	1311249	Ex9CMS12A22F7	1311273
120	Ex9CMS12A40G7	1311251	Ex9CMS12A22G7	1311275
220	Ex9CMS12A40M7	1313448	Ex9CMS12A22M7	1313472
230	Ex9CMS12A40P7	1311253	Ex9CMS12A22P7	1311277
240	Ex9CMS12A40U7	1311255	Ex9CMS12A22U7	1311279
277	Ex9CMS12A40N7	1313456	Ex9CMS12A22N7	1313480
380	Ex9CMS12A40Q7	1313450	Ex9CMS12A22Q7	1313474
440	Ex9CMS12A40R7	1313452	Ex9CMS12A22R7	1313476
480	Ex9CMS12A40T7	1311259	Ex9CMS12A22T7	1311283
600	Ex9CMS12A40Y7	1313446	Ex9CMS12A22Y7	1313470



Compatible with **Ex9RD11.5 Thermal Overload Relay**
 Refer to page B50 for details
 For accessories, see pages A40-44

IEC Contactors

Ex9CDS 9~12A

- Auxiliary contacts are side mounted; front mounted also available
- FVNR, 50/60 Hz
- Ratings page A11



9A Standard

12A Standard

Coil Voltage Vac	3 Poles 3NO+1NO • Auxiliary Contact		3 Poles 3NO+1NC • Auxiliary Contact		3 Poles 3NO+1NO • Auxiliary Contact		3 Poles 3NO+1NC • Auxiliary Contact	
	Product	Part Number	Product	Part Number	Product	Part Number	Product	Part Number
24	Ex9CDS09A30B7A	1310069	Ex9CDS09A30B7B	1310009	Ex9CDS12A30B7A	1310153	Ex9CDS12A30B7B	1310093
48	Ex9CDS09A30E7A	1312266	Ex9CDS09A30E7B	1312206	Ex9CDS12A30E7A	1312350	Ex9CDS12A30E7B	1312290
110	Ex9CDS09A30F7A	1310061	Ex9CDS09A30F7B	1310001	Ex9CDS12A30F7A	1310145	Ex9CDS12A30F7B	1310085
120	Ex9CDS09A30G7A	1310063	Ex9CDS09A30G7B	1310003	Ex9CDS12A30G7A	1310147	Ex9CDS12A30G7B	1310087
220	Ex9CDS09A30M7A	1312260	Ex9CDS09A30M7B	1312200	Ex9CDS12A30M7A	1312344	Ex9CDS12A30M7B	1312284
230	Ex9CDS09A30P7A	1310065	Ex9CDS09A30P7B	1310005	Ex9CDS12A30P7A	1310149	Ex9CDS12A30P7B	1310089
240	Ex9CDS09A30U7A	1310067	Ex9CDS09A30U7B	1310007	Ex9CDS12A30U7A	1310151	Ex9CDS12A30U7B	1310091
277	Ex9CDS09A30N7A	1312268	Ex9CDS09A30N7B	1312208	Ex9CDS12A30N7A	1312352	Ex9CDS12A30N7B	1312292
380	Ex9CDS09A30Q7A	1312262	Ex9CDS09A30Q7B	1312202	Ex9CDS12A30Q7A	1312346	Ex9CDS12A30Q7B	1312286
440	Ex9CDS09A30R7A	1312264	Ex9CDS09A30R7B	1312204	Ex9CDS12A30R7A	1312348	Ex9CDS12A30R7B	1312288
480	Ex9CDS09A30T7A	1310071	Ex9CDS09A30T7B	1310011	Ex9CDS12A30T7A	1310155	Ex9CDS12A30T7B	1310095
600	Ex9CDS09A30Y7A	1312258	Ex9CDS09A30Y7B	1312198	Ex9CDS12A30Y7A	1312342	Ex9CDS12A30Y7B	1312282

Coil Voltage Vac	4 Poles (4NO)		4 Poles (2NO+2NC)		4 Poles (4NO)		4 Poles (2NO+2NC)	
	Product	Part Number	Product	Part Number	Product	Part Number	Product	Part Number
24	Ex9CDS09A40B7	1310033	Ex9CDS09A22B7	1310057	Ex9CDS12A40B7	1310117	Ex9CDS12A22B7	1310141
48	Ex9CDS09A40E7	1312230	Ex9CDS09A22E7	1312254	Ex9CDS12A40E7	1312314	Ex9CDS12A22E7	1312338
110	Ex9CDS09A40F7	1310025	Ex9CDS09A22F7	1310049	Ex9CDS12A40F7	1310109	Ex9CDS12A22F7	1310133
120	Ex9CDS09A40G7	1310027	Ex9CDS09A22G7	1310051	Ex9CDS12A40G7	1310111	Ex9CDS12A22G7	1310135
220	Ex9CDS09A40M7	1312224	Ex9CDS09A22M7	1312248	Ex9CDS12A40M7	1312308	Ex9CDS12A22M7	1312332
230	Ex9CDS09A40P7	1310029	Ex9CDS09A22P7	1310053	Ex9CDS12A40P7	1310113	Ex9CDS12A22P7	1310137
240	Ex9CDS09A40U7	1310031	Ex9CDS09A22U7	1310055	Ex9CDS12A40U7	1310115	Ex9CDS12A22U7	1310139
277	Ex9CDS09A40N7	1312232	Ex9CDS09A22N7	1312256	Ex9CDS12A40N7	1312316	Ex9CDS12A22N7	1312340
380	Ex9CDS09A40Q7	1312226	Ex9CDS09A22Q7	1312250	Ex9CDS12A40Q7	1312310	Ex9CDS12A22Q7	1312334
440	Ex9CDS09A40R7	1312228	Ex9CDS09A22R7	1312252	Ex9CDS12A40R7	1312312	Ex9CDS12A22R7	1312336
480	Ex9CDS09A40T7	1310035	Ex9CDS09A22T7	1310059	Ex9CDS12A40T7	1310119	Ex9CDS12A22T7	1310143
600	Ex9CDS09A40Y7	1312222	Ex9CDS09A22Y7	1312246	Ex9CDS12A40Y7	1312306	Ex9CDS12A22Y7	1312330



Compatible with **Ex9RD25 Thermal Overload Relay**
 Refer to page B50 for details
 For accessories, see pages A40-44

IEC Contactors

Ex9CDS 18A

- Auxiliary contacts are side mounted; front mounted also available
- FVNR, 50/60 Hz



Certifications
IEC/EN 60947-4-1

CE cUL US LISTED

18A Standard

Coil Voltage Vac	3 Poles 3NO+1NO • Auxiliary Contact		3 Poles 3NO+1NC • Auxiliary Contact		Ratings				
	Product	Part Number	Product	Part Number	UL/CSA (A)	General Purpose	9A	12A	18A
24	Ex9CDS18A30B7A	1310201	Ex9CDS18A30B7B	1310177	Single-Phase (hp)	120 V	0.5	0.75	1
48	Ex9CDS18A30E7A	1312398	Ex9CDS18A30E7B	1312374		208 V	1	2	3
110	Ex9CDS18A30F7A	1310193	Ex9CDS18A30F7B	1310169		240 V			
120	Ex9CDS18A30G7A	1310195	Ex9CDS18A30G7B	1310171	Three-Phase (hp)	200 V	3	5	7.5
220	Ex9CDS18A30M7A	1312392	Ex9CDS18A30M7B	1312368		240 V			
230	Ex9CDS18A30P7A	1310197	Ex9CDS18A30P7B	1310173		460 V	5	7.5	10
240	Ex9CDS18A30U7A	1310199	Ex9CDS18A30U7B	1310175	600 V				
277	Ex9CDS18A30N7A	1312400	Ex9CDS18A30N7B	1312376	IEC (A)	AC-3 le	9	12	18
380	Ex9CDS18A30Q7A	1312394	Ex9CDS18A30Q7B	1312370		AC-1 le	20		32
440	Ex9CDS18A30R7A	1312396	Ex9CDS18A30R7B	1312372	AC-3 (kw)	220/230 V	2.2	3	4
480	Ex9CDS18A30T7A	1310203	Ex9CDS18A30T7B	1310179		380/400 V	4	5.5	7.5
600	Ex9CDS18A30Y7A	1312390	Ex9CDS18A30Y7B	1312366		600/690 V	5.5	7.5	10



Compatible with **Ex9RD25 Thermal Overload Relay**
Refer to page B50 for details
For accessories, see pages A40-44

IEC Contactors Ex9CDS 25~32A

- Auxiliary contacts are side mounted; front mounted also available
- FVNR, 50/60 Hz
- Ratings page A13



25A Standard

32A Standard

Coil Voltage Vac	3 Poles 3NO+1NO • Auxiliary Contact		3 Poles 3NO+1NC • Auxiliary Contact		3 Poles 3NO+1NO • Auxiliary Contact		3 Poles 3NO+1NC • Auxiliary Contact	
	Product	Part Number	Product	Part Number	Product	Part Number	Product	Part Number
24	Ex9CDS25A30B7A	1310285	Ex9CDS25A30B7B	1310225	Ex9CDS32A30B7A	1310333	Ex9CDS32A30B7B	1310309
48	Ex9CDS25A30E7A	1312482	Ex9CDS25A30E7B	1312422	Ex9CDS32A30E7A	1312530	Ex9CDS32A30E7B	1312506
110	Ex9CDS25A30F7A	1310277	Ex9CDS25A30F7B	1310217	Ex9CDS32A30F7A	1310325	Ex9CDS32A30F7B	1310301
120	Ex9CDS25A30G7A	1310279	Ex9CDS25A30G7B	1310219	Ex9CDS32A30G7A	1310327	Ex9CDS32A30G7B	1310303
220	Ex9CDS25A30M7A	1312476	Ex9CDS25A30M7B	1312416	Ex9CDS32A30M7A	1312524	Ex9CDS32A30M7B	1312500
230	Ex9CDS25A30P7A	1310281	Ex9CDS25A30P7B	1310221	Ex9CDS32A30P7A	1310329	Ex9CDS32A30P7B	1310305
240	Ex9CDS25A30U7A	1310283	Ex9CDS25A30U7B	1310223	Ex9CDS32A30U7A	1310331	Ex9CDS32A30U7B	1310307
277	Ex9CDS25A30N7A	1312484	Ex9CDS25A30N7B	1312424	Ex9CDS32A30N7A	1312532	Ex9CDS32A30N7B	1312508
380	Ex9CDS25A30Q7A	1312478	Ex9CDS25A30Q7B	1312418	Ex9CDS32A30Q7A	1312526	Ex9CDS32A30Q7B	1312502
440	Ex9CDS25A30R7A	1312480	Ex9CDS25A30R7B	1312420	Ex9CDS32A30R7A	1312528	Ex9CDS32A30R7B	1312504
480	Ex9CDS25A30T7A	1310287	Ex9CDS25A30T7B	1310227	Ex9CDS32A30T7A	1310335	Ex9CDS32A30T7B	1310311
600	Ex9CDS25A30Y7A	1312474	Ex9CDS25A30Y7B	1312414	Ex9CDS32A30Y7A	1312522	Ex9CDS32A30Y7B	1312498

Coil Voltage Vac	4 Poles (4NO)		4 Poles (2NO+2NC)	
	Product	Part Number	Product	Part Number
24	Ex9CDS25A40B7	1310249	Ex9CDS25A22B7	1310273
48	Ex9CDS25A40E7	1312446	Ex9CDS25A22E7	1312470
110	Ex9CDS25A40F7	1310241	Ex9CDS25A22F7	1310265
120	Ex9CDS25A40G7	1310243	Ex9CDS25A22G7	1310267
220	Ex9CDS25A40M7	1312440	Ex9CDS25A22M7	1312464
230	Ex9CDS25A40P7	1310245	Ex9CDS25A22P7	1310269
240	Ex9CDS25A40U7	1310247	Ex9CDS25A22U7	1310271
277	Ex9CDS25A40N7	1312448	Ex9CDS25A22N7	1312472
380	Ex9CDS25A40Q7	1312442	Ex9CDS25A22Q7	1312466
440	Ex9CDS25A40R7	1312444	Ex9CDS25A22R7	1312468
480	Ex9CDS25A40T7	1310251	Ex9CDS25A22T7	1310275
600	Ex9CDS25A40Y7	1312438	Ex9CDS25A22Y7	1312462



Ex9CD 25A compatible with **Ex9RD25 Thermal Overload Relay**
 Ex9CD 32A compatible with **Ex9RD25~36 Thermal Overload Relay**
 Refer to page B50 for details

For accessories, see pages A40-44

IEC Contactors

Ex9CDS 40A

- Auxiliary contacts are side mounted; front mounted also available
- FVNR, 50/60 Hz



Certifications
 IEC/EN 60947-4-1
 

40A Standard

Coil Voltage Vac	3 Poles 3NO+1NO/1NC • Auxiliary Contact	
	Product	Part Number
24	Ex9CDS40A30B7C	1310393
48	Ex9CDS40A30E7C	1312590
110	Ex9CDS40A30F7C	1310385
120	Ex9CDS40A30G7C	1310387
220	Ex9CDS40A30M7C	1312584
230	Ex9CDS40A30P7C	1310389
240	Ex9CDS40A30U7C	1310391
277	Ex9CDS40A30N7C	1312592
380	Ex9CDS40A30Q7C	1312586
440	Ex9CDS40A30R7C	1312588
480	Ex9CDS40A30T7C	1310395
600	Ex9CDS40A30Y7C	1312582

Ratings		25A	32A	40A
UL/CSA (A)	General Purpose	40	50	60
	120 V	2	3	
Single-Phase (hp)	208 V	5		7.5
	240 V			
Three-Phase (hp)	200 V	7.5	10	15
	240 V	10	15	20
	460 V	15	20	25
600 V				
IEC (A)	AC-3 le	25	32	40
	AC-1 le	40	50	60
AC-3 (kw)	220/230 V	5.5	7.5	11
	380/400 V	11	15	18.5
	600/690 V	15	18.5	30

Coil Voltage Vac	4 Poles (4NO)		4 Poles (2NO+2NC)	
	Product	Part Number	Product	Part Number
24	Ex9CDS40A40B7	1310357	Ex9CDS40A22B7	1310381
48	Ex9CDS40A40E7	1312554	Ex9CDS40A22E7	1312578
110	Ex9CDS40A40F7	1310349	Ex9CDS40A22F7	1310373
120	Ex9CDS40A40G7	1310351	Ex9CDS40A22G7	1310375
220	Ex9CDS40A40M7	1312548	Ex9CDS40A22M7	1312572
230	Ex9CDS40A40P7	1310353	Ex9CDS40A22P7	1310377
240	Ex9CDS40A40U7	1310355	Ex9CDS40A22U7	1310379
277	Ex9CDS40A40N7	1312556	Ex9CDS40A22N7	1312580
380	Ex9CDS40A40Q7	1312550	Ex9CDS40A22Q7	1312574
440	Ex9CDS40A40R7	1312552	Ex9CDS40A22R7	1312576
480	Ex9CDS40A40T7	1310359	Ex9CDS40A22T7	1310383
600	Ex9CDS40A40Y7	1312546	Ex9CDS40A22Y7	1312570



Compatible with **Ex9RD93 Thermal Overload Relay**
 Refer to page B51 for details
 For accessories, see pages A40-44

IEC Contactors

Ex9CDS 50~65A

- Auxiliary contacts are side mounted; front mounted also available
- FVNR, 50/60 Hz
- Ratings page A15



50A Standard

65A Standard

Coil Voltage Vac	3 Poles 3NO+1NO/1NC • Auxiliary Contact		3 Poles 3NO+1NO/1NC • Auxiliary Contact	
	Product	Part Number	Product	Part Number
24	Ex9CDS50A30B7C	1310453	Ex9CDS65A30B7C	1310513
48	Ex9CDS50A30E7C	1312650	Ex9CDS65A30E7C	1312710
110	Ex9CDS50A30F7C	1310445	Ex9CDS65A30F7C	1310505
120	Ex9CDS50A30G7C	1310447	Ex9CDS65A30G7C	1310507
220	Ex9CDS50A30M7C	1312644	Ex9CDS65A30M7C	1312704
230	Ex9CDS50A30P7C	1310449	Ex9CDS65A30P7C	1310509
240	Ex9CDS50A30U7C	1310451	Ex9CDS65A30U7C	1310511
277	Ex9CDS50A30N7C	1312652	Ex9CDS65A30N7C	1312712
380	Ex9CDS50A30Q7C	1312646	Ex9CDS65A30Q7C	1312706
440	Ex9CDS50A30R7C	1312648	Ex9CDS65A30R7C	1312708
480	Ex9CDS50A30T7C	1310455	Ex9CDS65A30T7C	1310515
600	Ex9CDS50A30Y7C	1312642	Ex9CDS65A30Y7C	1312702

Coil Voltage Vac	4 Poles (4NO)		4 Poles (2NO+2NC)		4 Poles (4NO)		4 Poles (2NO+2NC)	
	Product	Part Number	Product	Part Number	Product	Part Number	Product	Part Number
24	Ex9CDS50A40B7	1310417	Ex9CDS50A22B7	1310441	Ex9CDS65A40B7	1310477	Ex9CDS65A22B7	1310501
48	Ex9CDS50A40E7	1312614	Ex9CDS50A22E7	1312638	Ex9CDS65A40E7	1312674	Ex9CDS65A22E7	1312698
110	Ex9CDS50A40F7	1310409	Ex9CDS50A22F7	1310433	Ex9CDS65A40F7	1310469	Ex9CDS65A22F7	1310493
120	Ex9CDS50A40G7	1310411	Ex9CDS50A22G7	1310435	Ex9CDS65A40G7	1310471	Ex9CDS65A22G7	1310495
220	Ex9CDS50A40M7	1312608	Ex9CDS50A22M7	1312632	Ex9CDS65A40M7	1312668	Ex9CDS65A22M7	1312692
230	Ex9CDS50A40P7	1310413	Ex9CDS50A22P7	1310437	Ex9CDS65A40P7	1310473	Ex9CDS65A22P7	1310497
240	Ex9CDS50A40U7	1310415	Ex9CDS50A22U7	1310439	Ex9CDS65A40U7	1310475	Ex9CDS65A22U7	1310499
277	Ex9CDS50A40N7	1312616	Ex9CDS50A22N7	1312640	Ex9CDS65A40N7	1312676	Ex9CDS65A22N7	1312700
380	Ex9CDS50A40Q7	1312610	Ex9CDS50A22Q7	1312634	Ex9CDS65A40Q7	1312670	Ex9CDS65A22Q7	1312694
440	Ex9CDS50A40R7	1312612	Ex9CDS50A22R7	1312636	Ex9CDS65A40R7	1312672	Ex9CDS65A22R7	1312696
480	Ex9CDS50A40T7	1310419	Ex9CDS50A22T7	1310443	Ex9CDS65A40T7	1310479	Ex9CDS65A22T7	1310503
600	Ex9CDS50A40Y7	1312606	Ex9CDS50A22Y7	1312630	Ex9CDS65A40Y7	1312666	Ex9CDS65A22Y7	1312690



Compatible with **Ex9RD93 Thermal Overload Relay**
 Refer to page B51 for details
 For accessories, see pages A40-44

IEC Contactors

Ex9CDS 80A

- Auxiliary contacts are side mounted; front mounted also available
- FVNR, 50/60 Hz



Certifications
IEC/EN 60947-4-1

CE 

80A Standard

Coil Voltage Vac	3 Poles 3NO+1NO/1NC • Auxiliary Contact	
	Product	Part Number
24	Ex9CDS80A30B7C	1310573
48	Ex9CDS80A30E7C	1312770
110	Ex9CDS80A30F7C	1310565
120	Ex9CDS80A30G7C	1310567
220	Ex9CDS80A30M7C	1312764
230	Ex9CDS80A30P7C	1310569
240	Ex9CDS80A30U7C	1310571
277	Ex9CDS80A30N7C	1312772
380	Ex9CDS80A30Q7C	1312766
440	Ex9CDS80A30R7C	1312768
480	Ex9CDS80A30T7C	1310575
600	Ex9CDS80A30Y7C	1312762

Ratings		50A	65A	80A
UL/CSA (A)	General Purpose	80		95
	120 V	5		7.5
Single-Phase (hp)	208 V	10	-	
	240 V		15	20
	Three-Phase (hp)	200 V	15	20
240 V		20	25	30
460 V 600 V		30	40	
IEC (A)	AC-3 le	50	65	80
	AC-1 le	80		95
AC-3 (kw)	220/230 V	15	18.5	22
	380/400 V	22	30	37
	600/690 V	37		45

Coil Voltage Vac	4 Poles (4NO)		4 Poles (2NO+2NC)	
	Product	Part Number	Product	Part Number
24	Ex9CDS80A40B7	1310537	Ex9CDS80A22B7	1310561
48	Ex9CDS80A40E7	1312734	Ex9CDS80A22E7	1312758
110	Ex9CDS80A40F7	1310529	Ex9CDS80A22F7	1310553
120	Ex9CDS80A40G7	1310531	Ex9CDS80A22G7	1310555
220	Ex9CDS80A40M7	1312728	Ex9CDS80A22M7	1312752
230	Ex9CDS80A40P7	1310533	Ex9CDS80A22P7	1310557
240	Ex9CDS80A40U7	1310535	Ex9CDS80A22U7	1310559
277	Ex9CDS80A40N7	1312736	Ex9CDS80A22N7	1312760
380	Ex9CDS80A40Q7	1312730	Ex9CDS80A22Q7	1312754
440	Ex9CDS80A40R7	1312732	Ex9CDS80A22R7	1312756
480	Ex9CDS80A40T7	1310539	Ex9CDS80A22T7	1310563
600	Ex9CDS80A40Y7	1312726	Ex9CDS80A22Y7	1312750



Compatible with **Ex9RD93 Thermal Overload Relay**
Refer to page B51 for details
For accessories, see pages A40-44

IEC Contactors

Ex9CDS 95A

- Auxiliary contacts are side mounted; front mounted also available
- FVNR, 50/60 Hz



Certifications	
IEC/EN 60947-4-1	
CE	UL LISTED

95A Standard

Coil Voltage Vac	3 Poles 3NO+1NO/1NC • Auxiliary Contact		Ratings		95A
	Product	Part Number	UL/CSA (A)	General Purpose	
24	Ex9CDS95A30B7C	1310633	Single-Phase (hp)	120 V	95
48	Ex9CDS95A30E7C	1312830		208 V	7.5
110	Ex9CDS95A30F7C	1310625		240 V	-
120	Ex9CDS95A30G7C	1310627	Three-Phase (hp)	200 V	20
220	Ex9CDS95A30M7C	1312824		240 V	30
230	Ex9CDS95A30P7C	1310629		460 V	50
240	Ex9CDS95A30U7C	1310631	IEC (A)	600 V	95
277	Ex9CDS95A30N7C	1312832		AC-3 le	25
380	Ex9CDS95A30Q7C	1312826		AC-1 le	45
440	Ex9CDS95A30R7C	1312828	AC-3 (kw)	220/230 V	95
480	Ex9CDS95A30T7C	1310635		380/400 V	25
600	Ex9CDS95A30Y7C	1312822		600/690 V	45

Coil Voltage Vac	4 Poles (4NO)		4 Poles (2NO+2NC)	
	Product	Part Number	Product	Part Number
24	Ex9CDS95A40B7	1310597	Ex9CDS95A22B7	1310621
48	Ex9CDS95A40E7	1312794	Ex9CDS95A22E7	1312818
110	Ex9CDS95A40F7	1310589	Ex9CDS95A22F7	1310613
120	Ex9CDS95A40G7	1310591	Ex9CDS95A22G7	1310615
220	Ex9CDS95A40M7	1312788	Ex9CDS95A22M7	1312812
230	Ex9CDS95A40P7	1310593	Ex9CDS95A22P7	1310617
240	Ex9CDS95A40U7	1310595	Ex9CDS95A22U7	1310619
277	Ex9CDS95A40N7	1312796	Ex9CDS95A22N7	1312820
380	Ex9CDS95A40Q7	1312790	Ex9CDS95A22Q7	1312814
440	Ex9CDS95A40R7	1312792	Ex9CDS95A22R7	1312816
480	Ex9CDS95A40T7	1310599	Ex9CDS95A22T7	1310623
600	Ex9CDS95A40Y7	1312786	Ex9CDS95A22Y7	1312810



Compatible with **Ex9RD93 Thermal Overload Relay**
 Refer to page B51 for details
 For accessories, see pages A40-44

IEC Contactors Ex9CDS 115~150A

- Auxiliary contacts are front mounted
- FVNR, 50/60 Hz



115A Standard

150A Standard

Coil Voltage Vac	3 Poles (3NO)		3 Poles (3NO)	
	Product	Part Number	Product	Part Number
24	Ex9CDS115A30B7	1310657	Ex9CDS150A30B7	1310705
48	Ex9CDS115A30E7	1312854	Ex9CDS150A30E7	1312902
110	Ex9CDS115A30F7	1310649	Ex9CDS150A30F7	1310697
120	Ex9CDS115A30G7	1310651	Ex9CDS150A30G7	1310699
220	Ex9CDS115A30M7	1312848	Ex9CDS150A30M7	1312896
230	Ex9CDS115A30P7	1310653	Ex9CDS150A30P7	1310701
240	Ex9CDS115A30U7	1310655	Ex9CDS150A30U7	1310703
277	Ex9CDS115A30N7	1312856	Ex9CDS150A30N7	1312904
380	Ex9CDS115A30Q7	1312850	Ex9CDS150A30Q7	1312898
440	Ex9CDS115A30R7	1312852	Ex9CDS150A30R7	1312900
480	Ex9CDS115A30T7	1310659	Ex9CDS150A30T7	1310707
600	Ex9CDS115A30Y7	1312846	Ex9CDS150A30Y7	1312894

Ratings		115A	150A
UL/CSA (A)	General Purpose	200	
Three-Phase (hp)	200 V	40	50
	240 V	60	75
	460 V	75	100
600 V			
IEC (A)	AC-3 le	115	150
	AC-1 le	200	
AC-3 (kw)	380/400 V	55	75
	600/690 V	80	100

Coil Voltage Vac	4 Poles (4NO)		4 Poles (4NO)	
	Product	Part Number	Product	Part Number
24	Ex9CDS115A40B7	1310669	Ex9CDS150A40B7	1310717
48	Ex9CDS115A40E7	1312866	Ex9CDS150A40E7	1312914
110	Ex9CDS115A40F7	1310661	Ex9CDS150A40F7	1310709
120	Ex9CDS115A40G7	1310663	Ex9CDS150A40G7	1310711
220	Ex9CDS115A40M7	1312860	Ex9CDS150A40M7	1312908
230	Ex9CDS115A40P7	1310665	Ex9CDS150A40P7	1310713
240	Ex9CDS115A40U7	1310667	Ex9CDS150A40U7	1310715
277	Ex9CDS115A40N7	1312868	Ex9CDS150A40N7	1312916
380	Ex9CDS115A40Q7	1312862	Ex9CDS150A40Q7	1312910
440	Ex9CDS115A40R7	1312864	Ex9CDS150A40R7	1312912
480	Ex9CDS115A40T7	1310671	Ex9CDS150A40T7	1310719
600	Ex9CDS115A40Y7	1312858	Ex9CDS150A40Y7	1312906



Compatible with **Ex9RD200 Thermal Overload Relay**
Refer to page B51 for details
For accessories, see pages A40-44

IEC Contactors Ex9CDS 185~225A

- Auxiliary contacts are front mounted
- FVNR, 50/60 Hz



185A Standard

225A Standard

Coil Voltage Vac	3 Poles (3NO)		3 Poles (3NO)	
	Product	Part Number	Product	Part Number
24	Ex9CDS185A30B7	1310753	Ex9CDS225A30B7	1310801
48	Ex9CDS185A30E7	1312950	Ex9CDS225A30E7	1312998
110	Ex9CDS185A30F7	1310745	Ex9CDS225A30F7	1310793
120	Ex9CDS185A30G7	1310747	Ex9CDS225A30G7	1310795
220	Ex9CDS185A30M7	1312944	Ex9CDS225A30M7	1312992
230	Ex9CDS185A30P7	1310749	Ex9CDS225A30P7	1310797
240	Ex9CDS185A30U7	1310751	Ex9CDS225A30U7	1310799
277	Ex9CDS185A30N7	1312952	Ex9CDS225A30N7	1313000
380	Ex9CDS185A30Q7	1312946	Ex9CDS225A30Q7	1312994
440	Ex9CDS185A30R7	1312948	Ex9CDS225A30R7	1312996
480	Ex9CDS185A30T7	1310755	Ex9CDS225A30T7	1310803
600	Ex9CDS185A30Y7	1312942	Ex9CDS225A30Y7	1312990

Ratings		185A	225A
UL/CSA (A)	General Purpose	275	
	200 V	60	75
Three-Phase (hp)	240 V	100	125
	460 V		
	600 V		
IEC (A)	AC-3 Ie	185	225
	AC-1 Ie	275	
AC-3 (kw)	380/400 V	90	110
	600/690 V	110	129

Coil Voltage Vac	4 Poles (4NO)		4 Poles (4NO)	
	Product	Part Number	Product	Part Number
24	Ex9CDS185A40B7	1310765	Ex9CDS225A40B7	1310813
48	Ex9CDS185A40E7	1312962	Ex9CDS225A40E7	1313010
110	Ex9CDS185A40F7	1310757	Ex9CDS225A40F7	1310805
120	Ex9CDS185A40G7	1310759	Ex9CDS225A40G7	1310807
220	Ex9CDS185A40M7	1312956	Ex9CDS225A40M7	1313004
230	Ex9CDS185A40P7	1310761	Ex9CDS225A40P7	1310809
240	Ex9CDS185A40U7	1310763	Ex9CDS225A40U7	1310811
277	Ex9CDS185A40N7	1312964	Ex9CDS225A40N7	1313012
380	Ex9CDS185A40Q7	1312958	Ex9CDS225A40Q7	1313006
440	Ex9CDS185A40R7	1312960	Ex9CDS225A40R7	1313008
480	Ex9CDS185A40T7	1310767	Ex9CDS225A40T7	1310815
600	Ex9CDS185A40Y7	1312954	Ex9CDS225A40Y7	1313002



Compatible with **Ex9RD200** and **Ex9RD630** Thermal Overload Relay
Refer to page B51 for details
For accessories, see pages A40-44

IEC Contactors

Ex9CDS 265~330A

- Auxiliary contacts are front mounted
- FVNR, 50/60 Hz



Certifications
IEC/EN 60947-4-1

CE cUL US LISTED

265A Standard

330A Standard

Coil Voltage Vac	3 Poles (3NO)		3 Poles (3NO)	
	Product	Part Number	Product	Part Number
24	Ex9CDS265A30B7	1310849	Ex9CDS330A30B7	1310897
48	Ex9CDS265A30E7	1313046	Ex9CDS330A30E7	1313094
110	Ex9CDS265A30F7	1310841	Ex9CDS330A30F7	1310889
120	Ex9CDS265A30G7	1310843	Ex9CDS330A30G7	1310891
220	Ex9CDS265A30M7	1313040	Ex9CDS330A30M7	1313088
230	Ex9CDS265A30P7	1310845	Ex9CDS330A30P7	1310893
240	Ex9CDS265A30U7	1310847	Ex9CDS330A30U7	1310895
277	Ex9CDS265A30N7	1313048	Ex9CDS330A30N7	1313096
380	Ex9CDS265A30Q7	1313042	Ex9CDS330A30Q7	1313090
440	Ex9CDS265A30R7	1313044	Ex9CDS330A30R7	1313092
480	Ex9CDS265A30T7	1310851	Ex9CDS330A30T7	1310899
600	Ex9CDS265A30Y7	1313038	Ex9CDS330A30Y7	1313086

Ratings		265A	330A
UL/CSA (A)	General Purpose	315	380
	200 V	100	125
Three-Phase (hp)	240 V	150	150
	460 V		200
	600 V		
IEC (A)	AC-3 Ie	265	330
	AC-1 Ie	315	380
AC-3 (kw)	380/400 V	132	160
	600/690 V	160	220

Coil Voltage Vac	4 Poles (4NO)		4 Poles (4NO)	
	Product	Part Number	Product	Part Number
24	Ex9CDS265A40B7	1310861	Ex9CDS330A40B7	1310909
48	Ex9CDS265A40E7	1313058	Ex9CDS330A40E7	1313106
110	Ex9CDS265A40F7	1310853	Ex9CDS330A40F7	1310901
120	Ex9CDS265A40G7	1310855	Ex9CDS330A40G7	1310903
220	Ex9CDS265A40M7	1313052	Ex9CDS330A40M7	1313100
230	Ex9CDS265A40P7	1310857	Ex9CDS330A40P7	1310905
240	Ex9CDS265A40U7	1310859	Ex9CDS330A40U7	1310907
277	Ex9CDS265A40N7	1313060	Ex9CDS330A40N7	1313108
380	Ex9CDS265A40Q7	1313054	Ex9CDS330A40Q7	1313102
440	Ex9CDS265A40R7	1313056	Ex9CDS330A40R7	1313104
480	Ex9CDS265A40T7	1310863	Ex9CDS330A40T7	1310911
600	Ex9CDS265A40Y7	1313050	Ex9CDS330A40Y7	1313098



Compatible with **Ex9RD630 Thermal Overload Relay**
Refer to page B51 for details
For accessories, see pages A40-44

IEC Contactors Ex9CDS 400~500A

- Auxiliary contacts are front mounted
- FVNR, 50/60 Hz



400A Standard

500A Standard

Coil Voltage Vac	3 Poles (3NO)		3 Poles (3NO)	
	Product	Part Number	Product	Part Number
24	Ex9CDS400A30B7	1310945	Ex9CDS500A30B7	1310993
48	Ex9CDS400A30E7	1313142	Ex9CDS500A30E7	1313190
110	Ex9CDS400A30F7	1310937	Ex9CDS500A30F7	1310985
120	Ex9CDS400A30G7	1310939	Ex9CDS500A30G7	1310987
220	Ex9CDS400A30M7	1313136	Ex9CDS500A30M7	1313184
230	Ex9CDS400A30P7	1310941	Ex9CDS500A30P7	1310989
240	Ex9CDS400A30U7	1310943	Ex9CDS500A30U7	1310991
277	Ex9CDS400A30N7	1313144	Ex9CDS500A30N7	1313192
380	Ex9CDS400A30Q7	1313138	Ex9CDS500A30Q7	1313186
440	Ex9CDS400A30R7	1313140	Ex9CDS500A30R7	1313188
480	Ex9CDS400A30T7	1310947	Ex9CDS500A30T7	1310995
600	Ex9CDS400A30Y7	1313134	Ex9CDS500A30Y7	1313182

Ratings		400A	500A
UL/CSA (A)	General Purpose	450	630
	200 V	150	200
Three-Phase (hp)	240 V	200	250
	460 V	250	350
	600 V	300	
IEC (A)	AC-3 Ie	400	500
	AC-1 Ie	450	630
AC-3 (kw)	380/400 V	200	250
	600/690 V	280	335

Coil Voltage Vac	4 Poles (4NO)	
	Product	Part Number
24	Ex9CDS400A40B7	1310957
48	Ex9CDS400A40E7	1313154
110	Ex9CDS400A40F7	1310949
120	Ex9CDS400A40G7	1310951
220	Ex9CDS400A40M7	1313148
230	Ex9CDS400A40P7	1310953
240	Ex9CDS400A40U7	1310955
277	Ex9CDS400A40N7	1313156
380	Ex9CDS400A40Q7	1313150
440	Ex9CDS400A40R7	1313152
480	Ex9CDS400A40T7	1310959
600	Ex9CDS400A40Y7	1313146



Compatible with **Ex9RD630 Thermal Overload Relay**

Refer to page B51 for details

For accessories, see pages A40-44

IEC Contactors

Ex9CDS 630A

- Auxiliary contacts are front mounted
- FVNR, 50/60 Hz



630A Standard

Coil Voltage Vac	3 Poles (3NO)	
	Product	Part Number
24	Ex9CDS630A30B7	1311017
48	Ex9CDS630A30E7	1313214
110	Ex9CDS630A30F7	1311009
120	Ex9CDS630A30G7	1311011
220	Ex9CDS630A30M7	1313208
230	Ex9CDS630A30P7	1311013
240	Ex9CDS630A30U7	1311015
277	Ex9CDS630A30N7	1313216
380	Ex9CDS630A30Q7	1313210
440	Ex9CDS630A30R7	1313212
480	Ex9CDS630A30T7	1311019
600	Ex9CDS630A30Y7	1313206

Ratings		630A
UL/CSA (A)	General Purpose	800
	Three-Phase (hp)	
	200 V	250
	240 V	350
	460 V	400
	600 V	500
IEC (A)	AC-3 le	630
	AC-1 le	800
AC-3 (kw)	380/400 V	335
	600/690 V	450

Coil Voltage Vac	4 Poles (4NO)	
	Product	Part Number
24	Ex9CDS630A40B7	1311029
48	Ex9CDS630A40E7	1313226
110	Ex9CDS630A40F7	1311021
120	Ex9CDS630A40G7	1311023
220	Ex9CDS630A40M7	1313220
230	Ex9CDS630A40P7	1311025
240	Ex9CDS630A40U7	1311027
277	Ex9CDS630A40N7	1313228
380	Ex9CDS630A40Q7	1313222
440	Ex9CDS630A40R7	1313224
480	Ex9CDS630A40T7	1311031
600	Ex9CDS630A40Y7	1313218



Compatible with **Ex9RD630 Thermal Overload Relay**
 Refer to page B51 for details
 For accessories, see pages A40-44

IEC Contactors

Ex9CMR 6~9A Mini

- Auxiliary contacts are front mounted
- FVR, 50/60 Hz
- Ratings page A23



Certifications
IEC/EN 60947-4-1

CE cULus

6A Mini

9A Mini

Coil Voltage Vac	3 Poles 3NO+1NO • Auxiliary Contact		3 Poles 3NO+1NC • Auxiliary Contact		3 Poles 3NO+1NO • Auxiliary Contact		3 Poles 3NO+1NC • Auxiliary Contact	
	Product	Part Number	Product	Part Number	Product	Part Number	Product	Part Number
24	Ex9CMR06A30B7A	1311149	Ex9CMR06A30B7B	1311125	Ex9CMR09A30B7A	1311245	Ex9CMR09A30B7B	1311221
48	Ex9CMR06A30E7A	1313346	Ex9CMR06A30E7B	1313322	Ex9CMR09A30E7A	1313442	Ex9CMR09A30E7B	1313418
110	Ex9CMR06A30F7A	1311141	Ex9CMR06A30F7B	1311117	Ex9CMR09A30F7A	1311237	Ex9CMR09A30F7B	1311213
120	Ex9CMR06A30G7A	1311143	Ex9CMR06A30G7B	1311119	Ex9CMR09A30G7A	1311239	Ex9CMR09A30G7B	1311215
220	Ex9CMR06A30M7A	1313340	Ex9CMR06A30M7B	1313316	Ex9CMR09A30M7A	1313436	Ex9CMR09A30M7B	1313412
230	Ex9CMR06A30P7A	1311145	Ex9CMR06A30P7B	1311121	Ex9CMR09A30P7A	1311241	Ex9CMR09A30P7B	1311217
240	Ex9CMR06A30U7A	1311147	Ex9CMR06A30U7B	1311123	Ex9CMR09A30U7A	1311243	Ex9CMR09A30U7B	1311219
277	Ex9CMR06A30N7A	1313348	Ex9CMR06A30N7B	1313324	Ex9CMR09A30N7A	1313444	Ex9CMR09A30N7B	1313420
380	Ex9CMR06A30Q7A	1313342	Ex9CMR06A30Q7B	1313318	Ex9CMR09A30Q7A	1313438	Ex9CMR09A30Q7B	1313414
440	Ex9CMR06A30R7A	1313344	Ex9CMR06A30R7B	1313320	Ex9CMR09A30R7A	1313440	Ex9CMR09A30R7B	1313416
480	Ex9CMR06A30T7A	1311151	Ex9CMR06A30T7B	1311127	Ex9CMR09A30T7A	1311247	Ex9CMR09A30T7B	1311223
600	Ex9CMR06A30Y7A	1313338	Ex9CMR06A30Y7B	1313314	Ex9CMR09A30Y7A	1313434	Ex9CMR09A30Y7B	1313410

Coil Voltage Vac	4 Poles (4NO)		4 Poles (2NO+2NC)		4 Poles (4NO)		4 Poles (2NO+2NC)	
	Product	Part Number	Product	Part Number	Product	Part Number	Product	Part Number
24	Ex9CMR06A40B7	1311077	Ex9CMR06A22B7	1311101	Ex9CMR09A40B7	1311173	Ex9CMR09A22B7	1311197
48	Ex9CMR06A40E7	1313274	Ex9CMR06A22E7	1313298	Ex9CMR09A40E7	1313370	Ex9CMR09A22E7	1313394
110	Ex9CMR06A40F7	1311069	Ex9CMR06A22F7	1311093	Ex9CMR09A40F7	1311165	Ex9CMR09A22F7	1311189
120	Ex9CMR06A40G7	1311071	Ex9CMR06A22G7	1311095	Ex9CMR09A40G7	1311167	Ex9CMR09A22G7	1311191
220	Ex9CMR06A40M7	1313268	Ex9CMR06A22M7	1313292	Ex9CMR09A40M7	1313364	Ex9CMR09A22M7	1313388
230	Ex9CMR06A40P7	1311073	Ex9CMR06A22P7	1311097	Ex9CMR09A40P7	1311169	Ex9CMR09A22P7	1311193
240	Ex9CMR06A40U7	1311075	Ex9CMR06A22U7	1311099	Ex9CMR09A40U7	1311171	Ex9CMR09A22U7	1311195
277	Ex9CMR06A40N7	1313276	Ex9CMR06A22N7	1313300	Ex9CMR09A40N7	1313372	Ex9CMR09A22N7	1313396
380	Ex9CMR06A40Q7	1313270	Ex9CMR06A22Q7	1313294	Ex9CMR09A40Q7	1313366	Ex9CMR09A22Q7	1313390
440	Ex9CMR06A40R7	1313272	Ex9CMR06A22R7	1313296	Ex9CMR09A40R7	1313368	Ex9CMR09A22R7	1313392
480	Ex9CMR06A40T7	1311079	Ex9CMR06A22T7	1311103	Ex9CMR09A40T7	1311175	Ex9CMR09A22T7	1311199
600	Ex9CMR06A40Y7	1313266	Ex9CMR06A22Y7	1313290	Ex9CMR09A40Y7	1313362	Ex9CMR09A22Y7	1313386

For accessories, see pages A40-44.

IEC Contactors

Ex9CMR 12A Mini

- Auxiliary contacts are front mounted
- FVR, 50/60 Hz



Certifications
IEC/EN 60947-4-1

CE cULus

12A Mini

Coil Voltage Vac	3 Poles 3NO+1NO • Auxiliary Contact		3 Poles 3NO+1NC • Auxiliary Contact		Ratings		6A	9A	12A
	Product	Part Number	Product	Part Number	UL/CSA (A)	General Purpose	20		
24	Ex9CMR12A30B7A	1311341	Ex9CMR12A30B7B	1311317	Single-Phase (hp)	110/120 V	0.3	0.5	0.75
48	Ex9CMR12A30E7A	1313538	Ex9CMR12A30E7B	1313514		230/240 V	0.75	1.5	2
110	Ex9CMR12A30F7A	1311333	Ex9CMR12A30F7B	1311309	Three-Phase (hp)	200/208 V	1.5	3	
120	Ex9CMR12A30G7A	1311335	Ex9CMR12A30G7B	1311311		230/240 V			
220	Ex9CMR12A30M7A	1313532	Ex9CMR12A30M7B	1313508		460/480 V	3	5	7.5
230	Ex9CMR12A30P7A	1311337	Ex9CMR12A30P7B	1311313	575/600 V	10			
240	Ex9CMR12A30U7A	1311339	Ex9CMR12A30U7B	1311315	IEC (A)	AC-3 le	6	9	12
277	Ex9CMR12A30N7A	1313540	Ex9CMR12A30N7B	1313516		AC-1 le	20		
380	Ex9CMR12A30Q7A	1313534	Ex9CMR12A30Q7B	1313510	AC-3 (kw)	220/230/240 V	1.5	2.2	3
440	Ex9CMR12A30R7A	1313536	Ex9CMR12A30R7B	1313512		380/400 V	2.2	4	5.5
480	Ex9CMR12A30T7A	1311343	Ex9CMR12A30T7B	1311319		415 V			
600	Ex9CMR12A30Y7A	1313530	Ex9CMR12A30Y7B	1313506		600/690 V	3		4

Coil Voltage Vac	4 Poles (4NO)		4 Poles (2NO+2NC)	
	Product	Part Number	Product	Part Number
24	Ex9CMR12A40B7	1311269	Ex9CMR12A22B7	1311293
48	Ex9CMR12A40E7	1313466	Ex9CMR12A22E7	1313490
110	Ex9CMR12A40F7	1311261	Ex9CMR12A22F7	1311285
120	Ex9CMR12A40G7	1311263	Ex9CMR12A22G7	1311287
220	Ex9CMR12A40M7	1313460	Ex9CMR12A22M7	1313484
230	Ex9CMR12A40P7	1311265	Ex9CMR12A22P7	1311289
240	Ex9CMR12A40U7	1311267	Ex9CMR12A22U7	1311291
277	Ex9CMR12A40N7	1313468	Ex9CMR12A22N7	1313492
380	Ex9CMR12A40Q7	1313462	Ex9CMR12A22Q7	1313486
440	Ex9CMR12A40R7	1313464	Ex9CMR12A22R7	1313488
480	Ex9CMR12A40T7	1311271	Ex9CMR12A22T7	1311295
600	Ex9CMR12A40Y7	1313458	Ex9CMR12A22Y7	1313482

For accessories, see pages A40-44.

IEC Contactors

Ex9CDR 9~12A

- Auxiliary contacts are side mounted; front mounted also available
- FVR, 50/60 Hz
- Ratings page A25



9A Standard

12A Standard

Coil Voltage Vac	3 Poles 3NO+1NO • Auxiliary Contact		3 Poles 3NO+1NC • Auxiliary Contact		3 Poles 3NO+1NO • Auxiliary Contact		3 Poles 3NO+1NC • Auxiliary Contact	
	Product	Part Number	Product	Part Number	Product	Part Number	Product	Part Number
24	Ex9CDR09A30B7A	1310081	Ex9CDR09A30B7B	1310021	Ex9CDR12A30B7A	1310165	Ex9CDR12A30B7B	1310105
48	Ex9CDR09A30E7A	1312278	Ex9CDR09A30E7B	1312218	Ex9CDR12A30E7A	1312362	Ex9CDR12A30E7B	1312302
110	Ex9CDR09A30F7A	1310073	Ex9CDR09A30F7B	1310013	Ex9CDR12A30F7A	1310157	Ex9CDR12A30F7B	1310097
120	Ex9CDR09A30G7A	1310075	Ex9CDR09A30G7B	1310015	Ex9CDR12A30G7A	1310159	Ex9CDR12A30G7B	1310099
220	Ex9CDR09A30M7A	1312272	Ex9CDR09A30M7B	1312212	Ex9CDR12A30M7A	1312356	Ex9CDR12A30M7B	1312296
230	Ex9CDR09A30P7A	1310077	Ex9CDR09A30P7B	1310017	Ex9CDR12A30P7A	1310161	Ex9CDR12A30P7B	1310101
240	Ex9CDR09A30U7A	1310079	Ex9CDR09A30U7B	1310019	Ex9CDR12A30U7A	1310163	Ex9CDR12A30U7B	1310103
277	Ex9CDR09A30N7A	1312280	Ex9CDR09A30N7B	1312220	Ex9CDR12A30N7A	1312364	Ex9CDR12A30N7B	1312304
380	Ex9CDR09A30Q7A	1312274	Ex9CDR09A30Q7B	1312214	Ex9CDR12A30Q7A	1312358	Ex9CDR12A30Q7B	1312298
440	Ex9CDR09A30R7A	1312276	Ex9CDR09A30R7B	1312216	Ex9CDR12A30R7A	1312360	Ex9CDR12A30R7B	1312300
480	Ex9CDR09A30T7A	1310083	Ex9CDR09A30T7B	1310023	Ex9CDR12A30T7A	1310167	Ex9CDR12A30T7B	1310107
600	Ex9CDR09A30Y7A	1312270	Ex9CDR09A30Y7B	1312210	Ex9CDR12A30Y7A	1312354	Ex9CDR12A30Y7B	1312294

Coil Voltage Vac	4 Poles (4NO)		4 Poles (4NO)	
	Product	Part Number	Product	Part Number
24	Ex9CDR09A40B7	1310045	Ex9CDR12A40B7	1310129
48	Ex9CDR09A40E7	1312242	Ex9CDR12A40E7	1312326
110	Ex9CDR09A40F7	1310037	Ex9CDR12A40F7	1310121
120	Ex9CDR09A40G7	1310039	Ex9CDR12A40G7	1310123
220	Ex9CDR09A40M7	1312236	Ex9CDR12A40M7	1312320
230	Ex9CDR09A40P7	1310041	Ex9CDR12A40P7	1310125
240	Ex9CDR09A40U7	1310043	Ex9CDR12A40U7	1310127
277	Ex9CDR09A40N7	1312244	Ex9CDR12A40N7	1312328
380	Ex9CDR09A40Q7	1312238	Ex9CDR12A40Q7	1312322
440	Ex9CDR09A40R7	1312240	Ex9CDR12A40R7	1312324
480	Ex9CDR09A40T7	1310047	Ex9CDR12A40T7	1310131
600	Ex9CDR09A40Y7	1312234	Ex9CDR12A40Y7	1312318

For accessories, see pages A40-44.

IEC Contactors

Ex9CDR 18A

- Auxiliary contacts are side mounted; front mounted also available
- FVR, 50/60 Hz



Certifications
 IEC/EN 60947-4-1
 

18A Standard

Coil Voltage Vac	3 Poles 3NO+1NO • Auxiliary Contact		3 Poles 3NO+1NC • Auxiliary Contact		Ratings					
	Product	Part Number	Product	Part Number	UL/CSA (A)	General Purpose	9A	12A	18A	
24	Ex9CDR18A30B7A	1310213	Ex9CDR18A30B7B	1310189	Single-Phase (hp)	General Purpose	20		32	
48	Ex9CDR18A30E7A	1312410	Ex9CDR18A30E7B	1312386			120 V	0.5	0.75	1
110	Ex9CDR18A30F7A	1310205	Ex9CDR18A30F7B	1310181			208 V	1	2	3
120	Ex9CDR18A30G7A	1310207	Ex9CDR18A30G7B	1310183	240 V					
220	Ex9CDR18A30M7A	1312404	Ex9CDR18A30M7B	1312380	Three-Phase (hp)	200 V	3	5	7.5	
230	Ex9CDR18A30P7A	1310209	Ex9CDR18A30P7B	1310185		240 V				
240	Ex9CDR18A30U7A	1310211	Ex9CDR18A30U7B	1310187		460 V	5	7.5	10	
277	Ex9CDR18A30N7A	1312412	Ex9CDR18A30N7B	1312388	600 V					
380	Ex9CDR18A30Q7A	1312406	Ex9CDR18A30Q7B	1312382	IEC (A)	AC-3 le	9	12	18	
440	Ex9CDR18A30R7A	1312408	Ex9CDR18A30R7B	1312384		AC-1 le	20		32	
480	Ex9CDR18A30T7A	1310215	Ex9CDR18A30T7B	1310191	AC-3 (kw)	220/230 V	2.2	3	4	
600	Ex9CDR18A30Y7A	1312402	Ex9CDR18A30Y7B	1312378		380/400 V	4	5.5	7.5	
						600/690 V	5.5	7.5	10	

For accessories, see pages A40-44.

IEC Contactors

Ex9CDR 25~32A

- Auxiliary contacts are side mounted; front mounted also available
- FVR, 50/60 Hz
- Ratings page A27



25A Standard

32A Standard

Coil Voltage Vac	3 Poles 3NO+1NO • Auxiliary Contact		3 Poles 3NO+1NC • Auxiliary Contact		3 Poles 3NO+1NO • Auxiliary Contact		3 Poles 3NO+1NC • Auxiliary Contact	
	Product	Part Number	Product	Part Number	Product	Part Number	Product	Part Number
24	Ex9CDR25A30B7A	1310297	Ex9CDR25A30B7B	1310237	Ex9CDR32A30B7A	1310345	Ex9CDR32A30B7B	1310321
48	Ex9CDR25A30E7A	1312494	Ex9CDR25A30E7B	1312434	Ex9CDR32A30E7A	1312542	Ex9CDR32A30E7B	1312518
110	Ex9CDR25A30F7A	1310289	Ex9CDR25A30F7B	1310229	Ex9CDR32A30F7A	1310337	Ex9CDR32A30F7B	1310313
120	Ex9CDR25A30G7A	1310291	Ex9CDR25A30G7B	1310231	Ex9CDR32A30G7A	1310339	Ex9CDR32A30G7B	1310315
220	Ex9CDR25A30M7A	1312488	Ex9CDR25A30M7B	1312428	Ex9CDR32A30M7A	1312536	Ex9CDR32A30M7B	1312512
230	Ex9CDR25A30P7A	1310293	Ex9CDR25A30P7B	1310233	Ex9CDR32A30P7A	1310341	Ex9CDR32A30P7B	1310317
240	Ex9CDR25A30U7A	1310295	Ex9CDR25A30U7B	1310235	Ex9CDR32A30U7A	1310343	Ex9CDR32A30U7B	1310319
277	Ex9CDR25A30N7A	1312496	Ex9CDR25A30N7B	1312436	Ex9CDR32A30N7A	1312544	Ex9CDR32A30N7B	1312520
380	Ex9CDR25A30Q7A	1312490	Ex9CDR25A30Q7B	1312430	Ex9CDR32A30Q7A	1312538	Ex9CDR32A30Q7B	1312514
440	Ex9CDR25A30R7A	1312492	Ex9CDR25A30R7B	1312432	Ex9CDR32A30R7A	1312540	Ex9CDR32A30R7B	1312516
480	Ex9CDR25A30T7A	1310299	Ex9CDR25A30T7B	1310239	Ex9CDR32A30T7A	1310347	Ex9CDR32A30T7B	1310323
600	Ex9CDR25A30Y7A	1312486	Ex9CDR25A30Y7B	1312426	Ex9CDR32A30Y7A	1312534	Ex9CDR32A30Y7B	1312510

Coil Voltage Vac	4 Poles (4NO)	
	Product	Part Number
24	Ex9CDR25A40B7	1310261
48	Ex9CDR25A40E7	1312458
110	Ex9CDR25A40F7	1310253
120	Ex9CDR25A40G7	1310255
220	Ex9CDR25A40M7	1312452
230	Ex9CDR25A40P7	1310257
240	Ex9CDR25A40U7	1310259
277	Ex9CDR25A40N7	1312460
380	Ex9CDR25A40Q7	1312454
440	Ex9CDR25A40R7	1312456
480	Ex9CDR25A40T7	1310263
600	Ex9CDR25A40Y7	1312450

For accessories, see pages A40-44.

IEC Contactors

Ex9CDR 40A

- Auxiliary contacts are side mounted; front mounted also available
- FVR, 50/60 Hz



Certifications
IEC/EN 60947-4-1

CE 

40A Standard

Coil Voltage Vac	3 Poles 3NO+1NO/1NC • Auxiliary Contact	
	Product	Part Number
24	Ex9CDR40A30B7C	1310405
48	Ex9CDR40A30E7C	1312602
110	Ex9CDR40A30F7C	1310397
120	Ex9CDR40A30G7C	1310399
220	Ex9CDR40A30M7C	1312596
230	Ex9CDR40A30P7C	1310401
240	Ex9CDR40A30U7C	1310403
277	Ex9CDR40A30N7C	1312604
380	Ex9CDR40A30Q7C	1312598
440	Ex9CDR40A30R7C	1312600
480	Ex9CDR40A30T7C	1310407
600	Ex9CDR40A30Y7C	1312594

Ratings		25A	32A	40A
UL/CSA (A)	General Purpose	40	50	60
	Single-Phase (hp)	120 V	2	3
		208 V 240 V	5	7.5
Three-Phase (hp)	200 V	7.5	10	15
	240 V	10	15	20
	460 V 600 V	15	20	25
IEC (A)	AC-3 le	25	32	40
	AC-1 le	40	50	60
AC-3 (kw)	220/230 V	5.5	7.5	11
	380/400 V	11	15	18.5
	600/690 V	15	18.5	30

Coil Voltage Vac	4 Poles (4NO)	
	Product	Part Number
24	Ex9CDR40A40B7	1310369
48	Ex9CDR40A40E7	1312566
110	Ex9CDR40A40F7	1310361
120	Ex9CDR40A40G7	1310363
220	Ex9CDR40A40M7	1312560
230	Ex9CDR40A40P7	1310365
240	Ex9CDR40A40U7	1310367
277	Ex9CDR40A40N7	1312568
380	Ex9CDR40A40Q7	1312562
440	Ex9CDR40A40R7	1312564
480	Ex9CDR40A40T7	1310371
600	Ex9CDR40A40Y7	1312558

For accessories, see pages A40-44.

Note: 40~95A are not pre-wired in the factory.

IEC Contactors

Ex9CDR 50~65A

- Auxiliary contacts are side mounted; front mounted also available
- FVR, 50/60 Hz
- Ratings page A29



50A Standard

65A Standard

Coil Voltage Vac	3 Poles 3NO+1NO/1NC • Auxiliary Contact		3 Poles 3NO+1NO/1NC • Auxiliary Contact	
	Product	Part Number	Product	Part Number
24	Ex9CDR50A30B7C	1310465	Ex9CDR65A30B7C	1310525
48	Ex9CDR50A30E7C	1312662	Ex9CDR65A30E7C	1312722
110	Ex9CDR50A30F7C	1310457	Ex9CDR65A30F7C	1310517
120	Ex9CDR50A30G7C	1310459	Ex9CDR65A30G7C	1310519
220	Ex9CDR50A30M7C	1312656	Ex9CDR65A30M7C	1312716
230	Ex9CDR50A30P7C	1310461	Ex9CDR65A30P7C	1310521
240	Ex9CDR50A30U7C	1310463	Ex9CDR65A30U7C	1310523
277	Ex9CDR50A30N7C	1312664	Ex9CDR65A30N7C	1312724
380	Ex9CDR50A30Q7C	1312658	Ex9CDR65A30Q7C	1312718
440	Ex9CDR50A30R7C	1312660	Ex9CDR65A30R7C	1312720
480	Ex9CDR50A30T7C	1310467	Ex9CDR65A30T7C	1310527
600	Ex9CDR50A30Y7C	1312654	Ex9CDR65A30Y7C	1312714

Coil Voltage Vac	4 Poles (4NO)		4 Poles (4NO)	
	Product	Part Number	Product	Part Number
24	Ex9CDR50A40B7	1310429	Ex9CDR65A40B7	1310489
48	Ex9CDR50A40E7	1312626	Ex9CDR65A40E7	1312686
110	Ex9CDR50A40F7	1310421	Ex9CDR65A40F7	1310481
120	Ex9CDR50A40G7	1310423	Ex9CDR65A40G7	1310483
220	Ex9CDR50A40M7	1312620	Ex9CDR65A40M7	1312680
230	Ex9CDR50A40P7	1310425	Ex9CDR65A40P7	1310485
240	Ex9CDR50A40U7	1310427	Ex9CDR65A40U7	1310487
277	Ex9CDR50A40N7	1312628	Ex9CDR65A40N7	1312688
380	Ex9CDR50A40Q7	1312622	Ex9CDR65A40Q7	1312682
440	Ex9CDR50A40R7	1312624	Ex9CDR65A40R7	1312684
480	Ex9CDR50A40T7	1310431	Ex9CDR65A40T7	1310491
600	Ex9CDR50A40Y7	1312618	Ex9CDR65A40Y7	1312678

For accessories, see pages A40-44.

Note: 40~95A are not pre-wired in the factory.

IEC Contactors

Ex9CDR 80A

- Auxiliary contacts are side mounted; front mounted also available
- FVR, 50/60 Hz



Certifications
IEC/EN 60947-4-1

CE cUL US LISTED

80A Standard

Coil Voltage Vac	3 Poles 3NO+1NO/1NC • Auxiliary Contact	
	Product	Part Number
24	Ex9CDR80A30B7C	1310585
48	Ex9CDR80A30E7C	1312782
110	Ex9CDR80A30F7C	1310577
120	Ex9CDR80A30G7C	1310579
220	Ex9CDR80A30M7C	1312776
230	Ex9CDR80A30P7C	1310581
240	Ex9CDR80A30U7C	1310583
277	Ex9CDR80A30N7C	1312784
380	Ex9CDR80A30Q7C	1312778
440	Ex9CDR80A30R7C	1312780
480	Ex9CDR80A30T7C	1310587
600	Ex9CDR80A30Y7C	1312774

Ratings		50A	65A	80A
UL/CSA (A)	General Purpose	80		95
	120 V	5		7.5
Single-Phase (hp)	208 V	10	-	
	240 V		15	20
	Three-Phase (hp)	200 V	15	20
240 V		20	25	30
460 V 600 V		30	40	
IEC (A)	AC-3 le	50	65	80
	AC-1 le	80		95
AC-3 (kw)	220/230 V	15	18.5	22
	380/400 V	22	30	37
	600/690 V	37		45

Coil Voltage Vac	4 Poles (4NO)	
	Product	Part Number
24	Ex9CDR80A40B7	1310549
48	Ex9CDR80A40E7	1312746
110	Ex9CDR80A40F7	1310541
120	Ex9CDR80A40G7	1310543
220	Ex9CDR80A40M7	1312740
230	Ex9CDR80A40P7	1310545
240	Ex9CDR80A40U7	1310547
277	Ex9CDR80A40N7	1312748
380	Ex9CDR80A40Q7	1312742
440	Ex9CDR80A40R7	1312744
480	Ex9CDR80A40T7	1310551
600	Ex9CDR80A40Y7	1312738

For accessories, see pages A40-44.

Note: 40~95A are not pre-wired in the factory.

IEC Contactors

Ex9CDR 95A

- Auxiliary contacts are side mounted; front mounted also available
- FVR, 50/60 Hz



95A Standard

Coil Voltage Vac	3 Poles 3NO+1NO/1NC • Auxiliary Contact	
	Product	Part Number
24	Ex9CDR95A30B7C	1310645
48	Ex9CDR95A30E7C	1312842
110	Ex9CDR95A30F7C	1310637
120	Ex9CDR95A30G7C	1310639
220	Ex9CDR95A30M7C	1312836
230	Ex9CDR95A30P7C	1310641
240	Ex9CDR95A30U7C	1310643
277	Ex9CDR95A30N7C	1312844
380	Ex9CDR95A30Q7C	1312838
440	Ex9CDR95A30R7C	1312840
480	Ex9CDR95A30T7C	1310647
600	Ex9CDR95A30Y7C	1312834

Ratings		95A
UL/CSA (A)	General Purpose	95
Single-Phase (hp)	120 V	7.5
	240 V	20
Three-Phase (hp)	200 V	30
	240 V	
	460 V 600 V	50
IEC (A)	AC-3 le	95
	AC-1 le	
AC-3 (kw)	220/230 V	25
	380/400 V	
	600/690 V	45

Coil Voltage Vac	4 Poles (4NO)	
	Product	Part Number
24	Ex9CDR95A40B7	1310609
48	Ex9CDR95A40E7	1312806
110	Ex9CDR95A40F7	1310601
120	Ex9CDR95A40G7	1310603
220	Ex9CDR95A40M7	1312800
230	Ex9CDR95A40P7	1310605
240	Ex9CDR95A40U7	1310607
277	Ex9CDR95A40N7	1312808
380	Ex9CDR95A40Q7	1312802
440	Ex9CDR95A40R7	1312804
480	Ex9CDR95A40T7	1310611
600	Ex9CDR95A40Y7	1312798

For accessories, see pages A40-44.

Note: 40~95A are not pre-wired in the factory.

IEC Contactors

Ex9CM Specifications

A

Ex9CM		06	09	12
Operating Frequency (415 V)	AC-3	1,200 operations/h		
	AC-4	300 operations/h		
Electrical Life (x10 ³ Operations)	AC-3	1,000		
	AC-4	200		
Mechanical Life (x10 ⁶ Operations)		10		
Matched Overload Relay Type		Ex9RD11.5		
Terminal Connection				
Flexible Cable (with Cold-Press Terminal) mm ² (AWG)	Single Cable	1~2.5 (16~14)		
	Dual Cable	1~1.5 (16)		
Stiff Cable mm ² (AWG)	Single Cable	1~2.5 (16~14)		
	Dual Cable			
Screw Size		M3		
Tightening Torque	Nm	0.8		
	in-lb	7		

IEC Contactors Ex9CD Specifications

Ex9CD - FVNR			S09	S12	S18	S25	S32	S40	S50	S65	S80	S95
Frame			Frame 1 (3 & 4 Poles)		Frame 2 (3 Poles)	Frame 3 (3 & 4 Poles)	Frame 4 (3 Poles)	Frame 5 (3 & 4 Poles)			Frame 6 (3 & 4 Poles)	
Rated Insulation Voltage (Vac)			690									
Operating Frequency (Operations/h)	Electrical	AC-3	1,200				600					
		AC-4	300									
		Mechanical	3,600									
Electrical Life (x10 ³ Operations)		AC-3	1,000				800		600			
		AC-4	200						150		100	
Mechanical Life (x10 ⁶ Operations)			10				8				6	
Matched Overload Relay Type			Ex9RD25				Ex9RD36		Ex9RD93			
Ex9CD - FVR			R09	R12	R18	R25	R32	R40	R50	R65	R80	R95
Frame			Frame 1 (3 & 4 Poles)		Frame 2 (3 Poles)	Frame 3 (3 & 4 Poles)	Frame 4 (3 Poles)	Frame 5 (3 & 4 Poles)			Frame 6 (3 & 4 Poles)	
Rated Conventional Heating Current (A) AC-1			20		32	40	50	60	80		95	
AC-4	I _e (A)	380/400 V	3.5	5	7.7	8.5	12	18.5	24	28	37	44
		660/690 V	1.5	2	3.8	4.4	7.5	9	12	14	17.3	21.3
	380/400 V	2.2		3	4	5.5	7.5	11	15	18.5	22	
	660/690 V	1.1	1.5	3.7					11	15	18.5	
Power of Controlled 3-Phase Cage Motor (AC-3)	hp	200 V	3	5	7.5	7.5	10	15		20	25	30
		240 V				10	15	20		25	30	
		460 V	5	7.5	10	15	20	25	30	40		50
		600 V										
Terminal Connection	Number of Pieces	09	12	18	25	32	40	50	65	80	95	
Flexible Cable with Cold-Pressed Socket mm ² (AWG)	1	1~2.5 (16~14)		1.5~4 (16~12)		2.5~6 (14~10)	6~25 (10~4)			10~35 (8~2)		
	2						4~10 (12~8)			6~16 (10~6)		
Flexible Cable without Cold-Pressed Socket mm ² (AWG)	1	1~4 (16~12)		1.5~6 (16~10)	1.5~10 (16~8)	2.5~10 (14~8)	6~25 (10~4)			10~35 (8~2)		
	2	1~2.5 (16~14)		1.5~4 (16~12)	1.5~6 (16~10)	2.5~6 (14~10)	4~10 (12~8)			6~16 (10~6)		
Inflexible Cable mm ² (AWG)	1	1~4 (16~12)		1.5~6 (16~10)		2.5~10 (14~8)	6~25 (10~4)			10~35 (8~2)		
	2						4~10 (12~8)			6~16 (10~6)		
Screw Size			M3.5			M4			M8		M10	
Tightening Torque	Nm		0.8			1.2			3.5		10	
	in-lb		7			10			45		89	

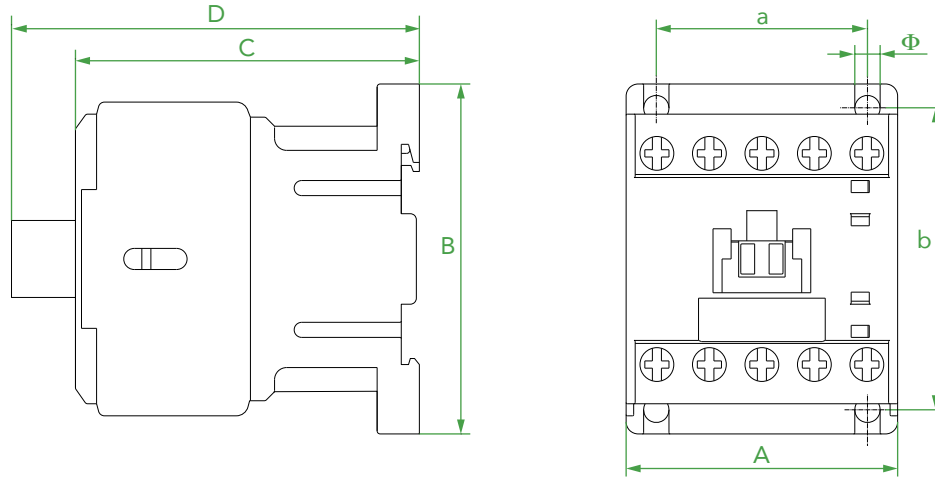
IEC Contactors

Ex9CD Specifications

Ex9CD - FVNR			S115	S150	S185	S225	S265	S330	S400	S500	S630	
Frame			Frame 7 (3 & 4 Poles)		Frame 8 (3 & 4 Poles)		Frame 9 (3 & 4 Poles)	Frame 10 (3 & 4 Poles)	Frame 11 (3 & 4 Poles)	Frame 12 (3 & 4 Poles)	Frame 13 (3 & 4 Poles)	
Rated Insulation Voltage (Vac)			1,000									
Operating Frequency (Operations/h)	Electrical	AC-3	1,200			600						
		AC-4	300									
Mechanical		1,200										
Electrical Life (x10 ³ Operations)		AC-3	1,200		1,000			800				
Mechanical Life (x10 ⁶ Operations)			10			6						
Matched Overload Relay Type			Ex9RD200				EX9RD630					
Ex9CD - FVR			R115	R150	R185	R225	R265	R330	R400	R500	R630	
Frame			Frame 7 (3 & 4 Poles)		Frame 8 (3 & 4 Poles)		Frame 9 (3 & 4 Poles)	Frame 10 (3 & 4 Poles)	Frame 11 (3 & 4 Poles)	Frame 12 (3 & 4 Poles)	Frame 13 (3 & 4 Poles)	
Rated Conventional Heating Current (A) AC-1			200		275		315	380	450	630	800	
AC-4	I _e (A)	380/400 V	115	150	185	225	265	330	400	500	630	
		660/690 V	86	108	118	137	170	235	303	353	462	
AC-3	P _e (kW)	380/400 V	55	75	90	110	132	160	200	250	335	
		660/690 V	80	100	110	129	160	220	280	335	450	
Power of Controlled 3-Phase Cage Motor (AC-3)	hp	200 V	40	50	60	75	100	125	150	200	250	
		240 V	60	75	100	125	150	150	200	250	350	
		460 V	75	100				200	250	350	400	
		600 V			300	350	500					
Terminal Connection		Number of Pieces	115	150	185	225	265	330	400	500	630	
Cable Cross Section mm ² (AWG)		1	70~95 (00~000)		95~150 (0000~300 MCM)		120~185 (250~350 MCM)	185~240 (350~500 MCM)	-			
		1 (2)	-						240 [150] (500 MCM [300 MCM])	-		
		2	-						-		150~185 (300~350 MCM)	185~240 (350~500 MCM)
Cu Bus Bar Cross Section mm ² (in.)		1 (2)	-						30x5 (1x0.25)	-		
		2	-						-		40x5 (1.25x0.25)	50x5 (1.5x0.25)
Screw Size			M6	M8		M10				M12		
Tightening Torque		Nm	3	6		10				14		
		in-lb	27	54		89				124		

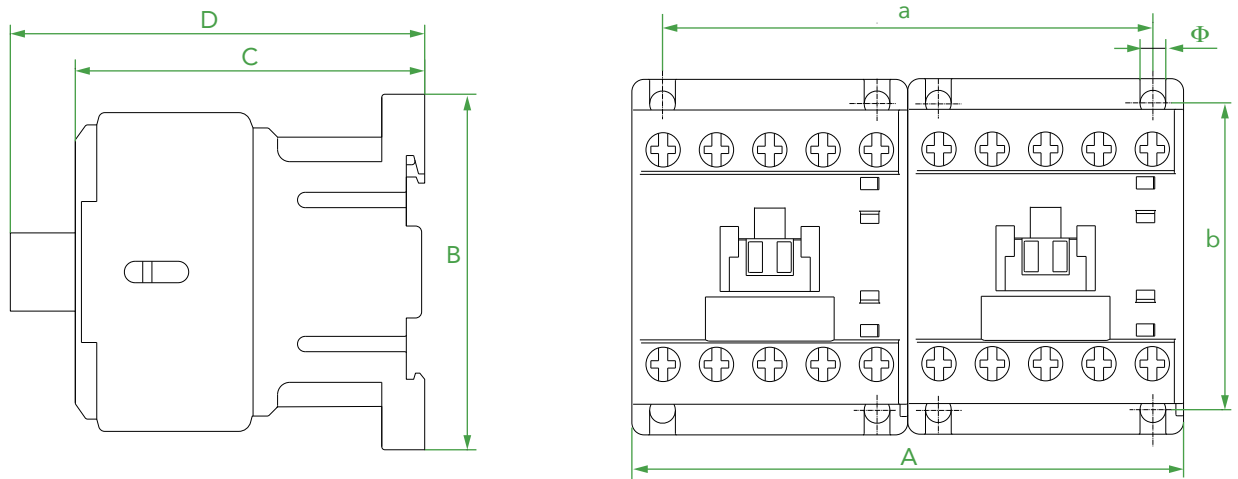
IEC Contactors Ex9CM Dimensions

Ex9CM
S06~12
Unit: in. [mm]



Ex9CM	A _{max}	B _{max}	C _{max}	D _{max}	a	b	Φ
S06~12	1.81 [46]	2.32 [59]	2.28 [58]	3.7 [94]	1.38 [35]	1.97 [50]	0.16 [4]

Ex9CM
R06~12
Unit: in. [mm]



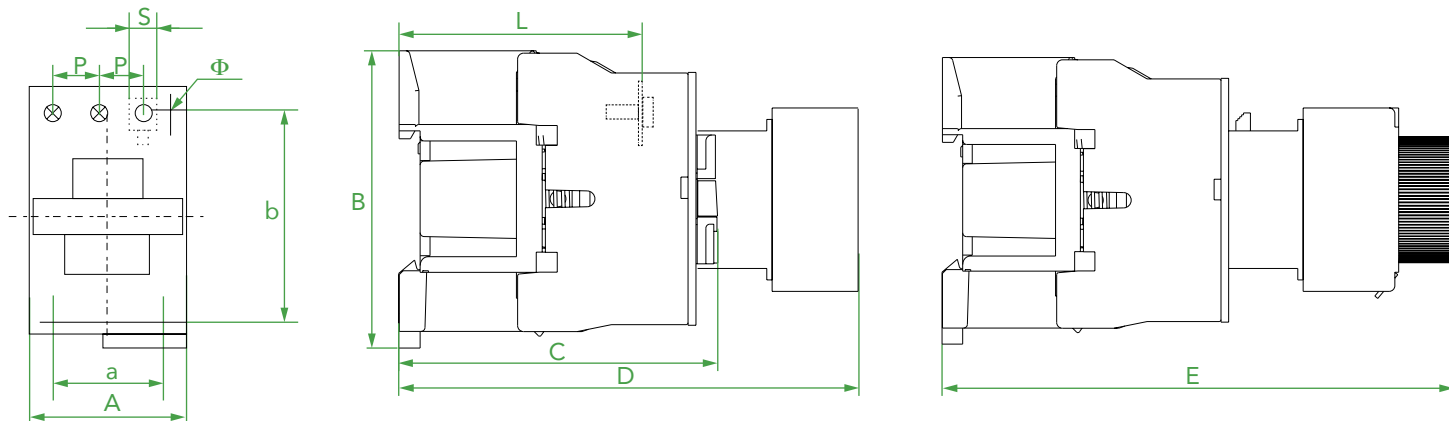
Ex9CM	A _{max}	B _{max}	C _{max}	D _{max}	a	b	Φ
R06~12	3.62 [92]	2.32 [59]	2.28 [58]	3.7 [94]	3.15 [80]	1.97 [50]	0.16 [4]

IEC Contactors

Ex9CD Dimensions

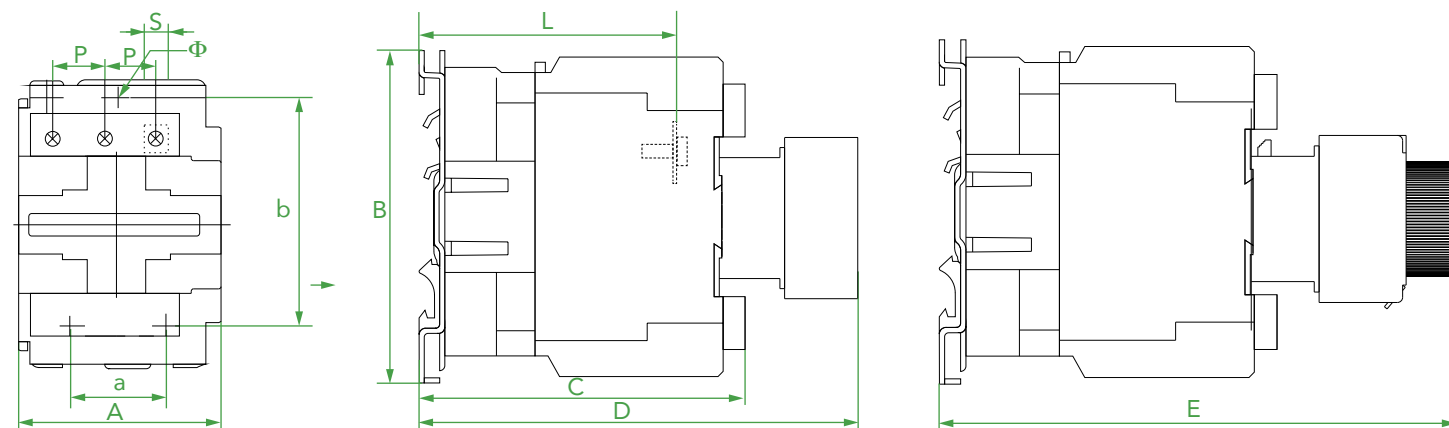
Ex9CDS09~32

Unit: in. [mm]



Ex9CDS40~95

Unit: in. [mm]



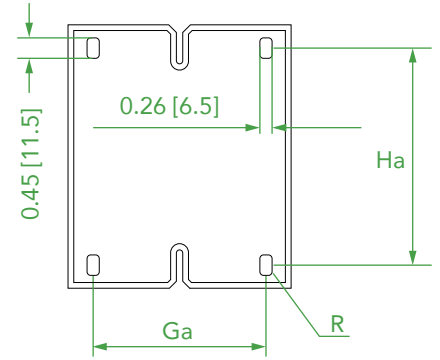
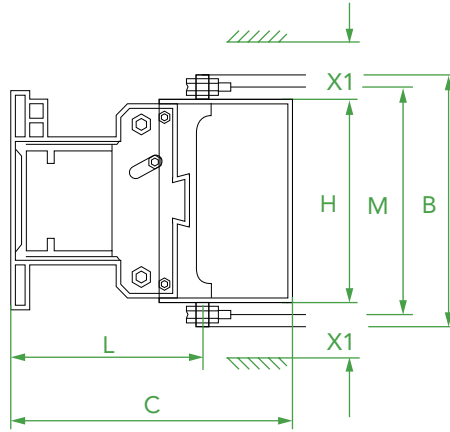
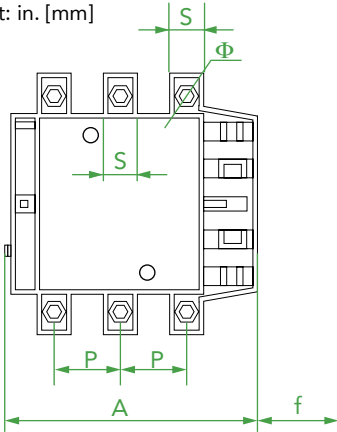
Ex9CD	A _{max}	B _{max}	C _{max}	D _{max}	E _{max}	a	b	Φ	L	P	S
S09	1.85 [47]	2.99 [76]	3.38 [86]	4.74 [120.5]	5.53 [140.5]	1.34/1.38 [34/35]	1.97/2.36 [50/60]	0.18 [4.5]	2.36 [60]	0.41 [10.5]	0.34 [8.6]
S12									2.40 [61]	0.44 [11.3]	0.41 [10.4]
S18									2.76 [70]	0.52 [13.2]	0.46 [11.7]
S25	2.25 [57]	3.38 [86]	3.74 [95]	5.25 [133.5]	6.04 [153.5]	1.57 [40]	1.89 [48]	0.26 [6.5]	2.82 [71.6]	0.57 [14.5]	0.51 [13]
S32			3.94 [100]	5.45 [138.5]	6.24 [158.5]				3.07 [78]	0.79 [20]	0.34 [8.6]
S4011~6511	3.03 [77]	5.08 [129]	4.56 [116]	6.08 [154.5]	6.87 [174.5]	1.57 [40]	4.13 [105]	0.26 [6.5]	3.27 [83]	0.93 [23.5]	0.47 [12]
S4040~6540	3.3 [84]		5 [128]	6.51 [165.5]	7.3 [185.5]				3.27 [83]	0.93 [23.5]	0.47 [12]
S4022~6522	3.42 [87]		4.8 [122]	6.31 [160.5]	7.10 [180.5]				3.27 [83]	0.93 [23.5]	0.47 [12]
S8011~9511	3.78 [96]		5.31 [135]	6.31 [160.5]	7.10 [180.5]				3.27 [83]	0.93 [23.5]	0.47 [12]
S8040~9540	3.78 [96]		5.31 [135]	6.31 [160.5]	7.10 [180.5]				3.27 [83]	0.93 [23.5]	0.47 [12]
S8022~9522	3.78 [96]	5.31 [135]	6.31 [160.5]	7.10 [180.5]	3.27 [83]	0.93 [23.5]	0.47 [12]				

Note: 1) L is the distance between terminals and plate in main circuit.
 2) P is the distance between two phase in main circuit.
 3) S is the width of contacting plate: in main circuit.
 4) Ex9CDS40~95: 11 = 3NO+1NO/1NC, 40 = 4NO, 22 = 2NO/2NC

IEC Contactors Ex9CD Dimensions

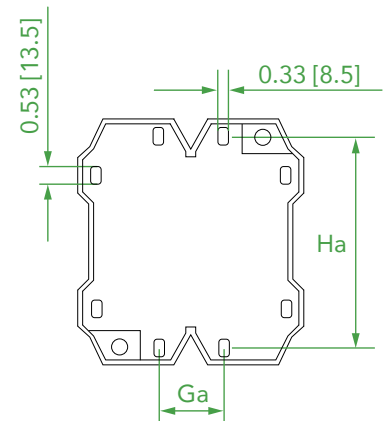
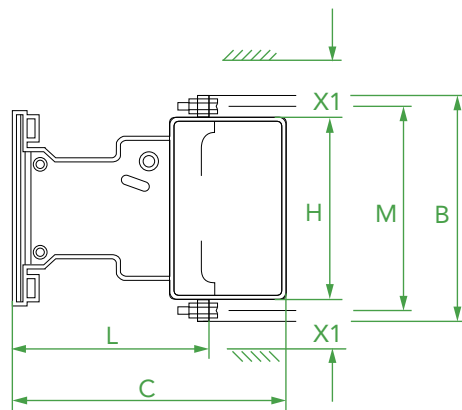
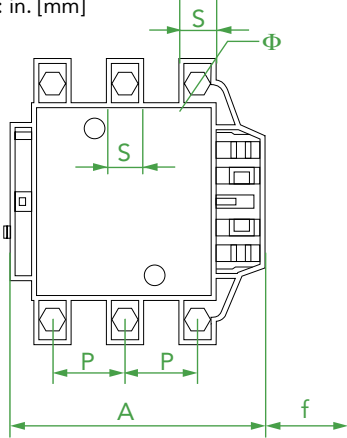
Ex9CDS115~330

Unit: in. [mm]



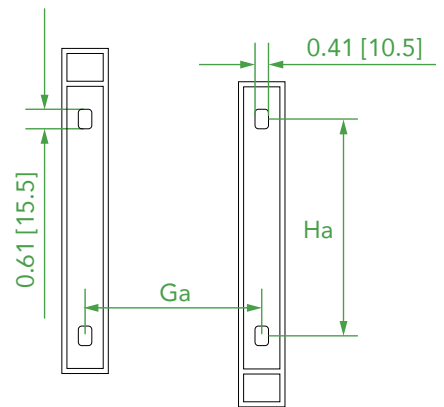
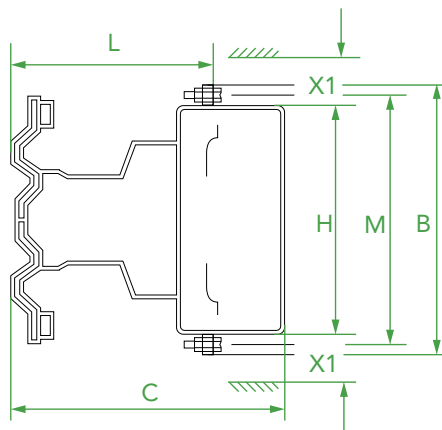
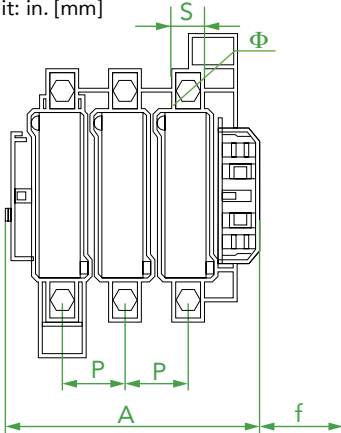
Ex9CDS400~500

Unit: in. [mm]



Ex9CDS630

Unit: in. [mm]



IEC Contactors

Ex9CD Dimensions

A

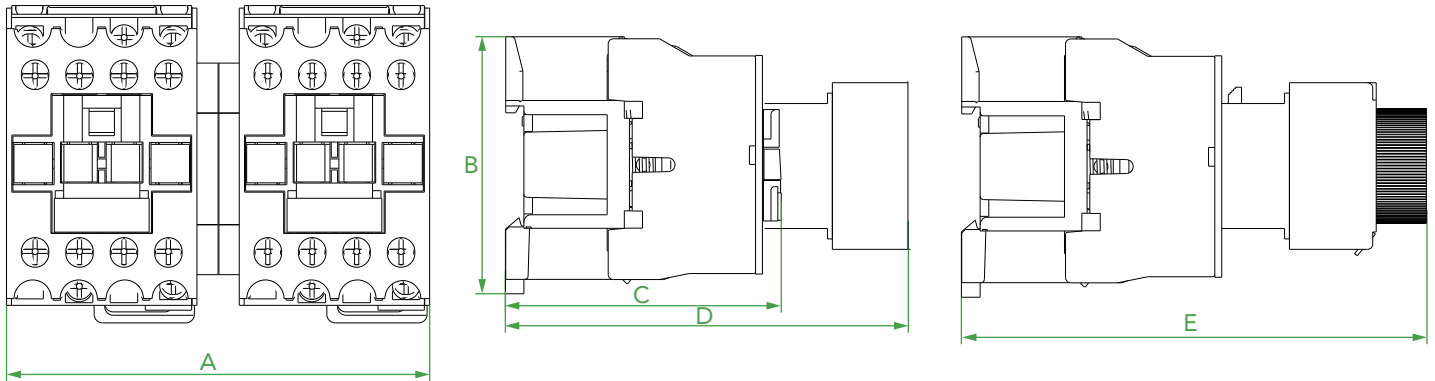
Ex9CD	Pole	A _{max}	B _{max}	C _{max}	P	S	Φ	f	M	H	L	X1 200-500V	X1 660-1000V	Ga	Ha
S115	3P	6.57 [167]	6.42 [163]	6.77 [172]	1.46 [37]	0.79 [20]	M0.24 [M6]	5.16 [131]	5.79 [147]	4.88 [124]	4.21 [107]	0.39 [10]	0.59 [15]	3.15 [80]	4.33- 4.72 [110- 120]
	4P	8.03 [204]													
S150	3P	6.57 [167]	6.73 [171]												
	4P	8.03 [204]													
S185	3P	6.73 [171]	6.85 [174]	7.20 [183]	1.57 [40]	0.98 [25]	M0.31 [M8]	5.79 [147]	7.01 [178]	5.79 [147]	5.55 [141]	0.59 [15]	0.79 [20]	3.15 [80]	4.33- 4.72 [110- 120]
	4P	8.31 [211]													
S225	3P	6.73 [171]	7.76 [197]	8.46 [215]	1.89 [48]	0.98 [25]	M0.39 [M10]	5.79 [147]	7.13 [181]	6.22 [158]	5.71 [145]	0.59 [15]	0.79 [20]	3.15 [80]	6.69- 7.09 [170- 180]
	4P	8.31 [211]													
S265	3P	7.95 [202]	7.99 [203]	8.46 [215]	1.89 [48]	0.98 [25]	M0.39 [M10]	5.79 [147]	7.13 [181]	6.22 [158]	5.71 [145]	0.59 [15]	0.79 [20]	3.15 [80]	6.69- 7.09 [170- 180]
	4P	9.72 [247]													
S330	3P	8.39 [213]	8.11 [206]	8.66 [220]	1.89 [48]	0.98 [25]	M0.39 [M10]	5.79 [147]	7.13 [181]	6.22 [158]	5.71 [145]	0.59 [15]	0.79 [20]	3.15 [80]	6.69- 7.09 [170- 180]
	4P	10.28 [261]													
S400	3P	8.39 [213]	8.11 [206]	8.66 [220]	1.89 [48]	0.98 [25]	M0.39 [M10]	5.79 [147]	7.13 [181]	6.22 [158]	5.71 [145]	0.59 [15]	0.79 [20]	3.15 [80]	6.69- 7.09 [170- 180]
	4P	10.28 [261]													
S500	3P	9.17 [233]	9.37 [238]	9.17 [233]	2.17 [55]	1.18 [30]		5.91 [150]	8.19 [208]	6.77 [172]	5.75 [146]				
S630	3P	12.17 [309]	11.97 [304]	10.08 [256]	3.15 [80]	1.57 [40]	M0.47 [M12]	7.13 [181]	10.39 [264]	7.95 [202]	6.10 [155]	0.79 [20]	1.18 [30]	7.09 [180]	7.09- 7.48 [180- 190]
	4P	15.31 [389]												9.45 [240]	

Note: a) f is the min distance needed to mount and dismount the coil.
 b) X1 is the arcing distance identified by operating voltage and breaking capacity.

IEC Contactors Ex9CD Dimensions

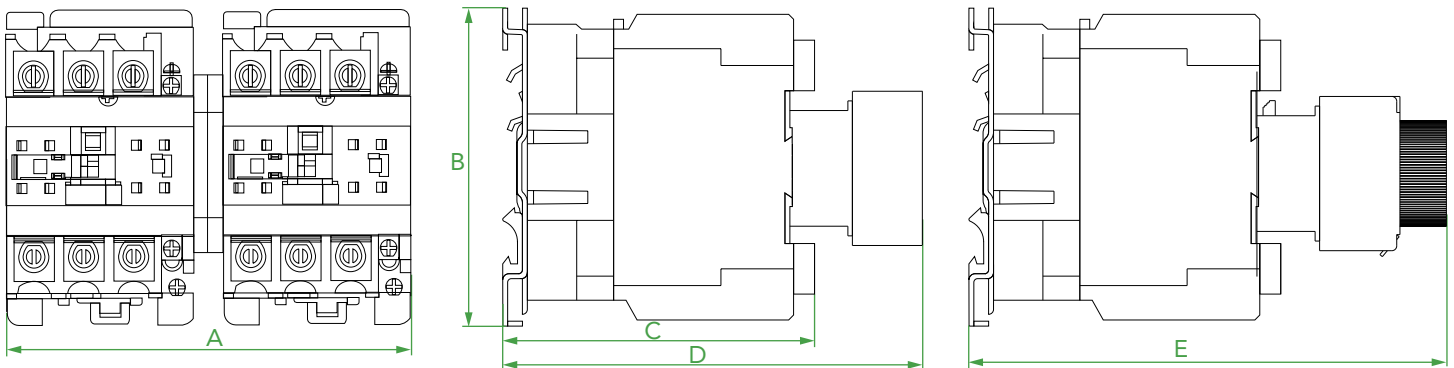
Ex9CDR09~32

Unit: in. [mm]



Ex9CDR40~95

Unit: in. [mm]



Ex9CD	A	B	C	D	E			
R09	4.13 [105]	3.07 [78]	3.23 [82]	4.74 [120.5]	5.53 [140.5]			
R12								
R18								
R25	4.92 [125]	3.54 [90]	3.74 [95]	5.25 [133.5]	6.04 [153.5]			
R32			3.93 [100]			5.45 [138.5]	6.24 [158.5]	
R4011~6511	6.50 [165]	5.08 [129]	4.56 [116]	6.08 [154.5]	6.87 [174.5]			
R4040~6540	7.08 [180]							
R8011~9511	7.36 [187]							
R8040~9540	8.07 [205]					5 [127]	6.51 [165.5]	7.30 [185.5]
							6.31 [160.5]	7.10 [180.5]

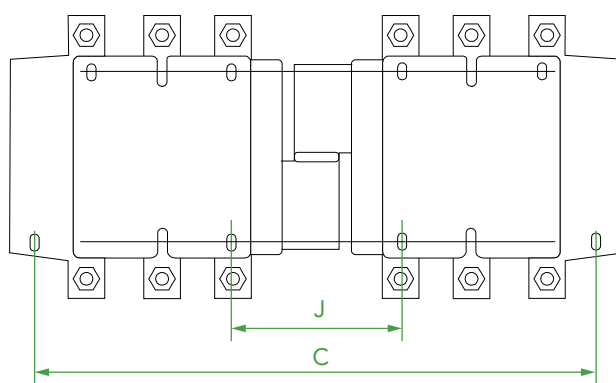
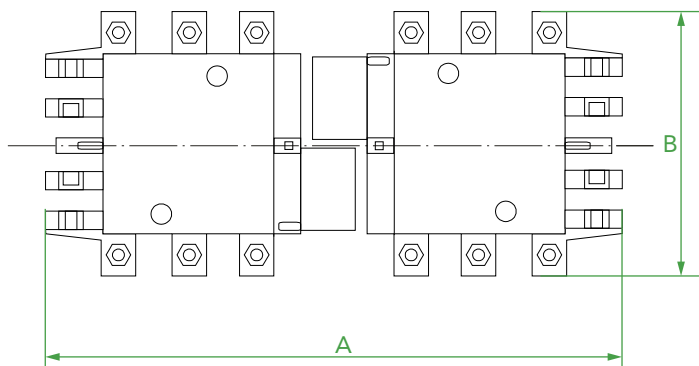
Note: 1) Ex9CD540~80: 11 = 3NO+1NO/1NC, 40 = 4NO

IEC Contactors

Ex9CD Dimensions

Ex9CDR115~630

Unit: in. [mm]



Ex9CD	Pole	A	B	J	C
R115	3	13.78 [350]	6.42 [163]	2.80 [71]	13 [330]
	4	16.73 [425]	8.19 [208]	4.25 [108]	14.57 [370]
R150	3	13.78 [350]	6.73 [171]	2.80 [71]	13 [330]
	4	16.73 [425]	8.31 [211]	4.37 [111]	14.57 [370]
R185	3	13.78 [350]	6.85 [174]	3.07 [78]	13 [330]
	4	16.93 [430]	8.78 [223]	4.65 [118]	14.57 [370]
R225	3	13.78 [350]	7.76 [197]	3.07 [78]	13 [330]
	4	16.93 [430]	9.57 [243]	4.65 [118]	14.57 [370]
R265	3	17.72 [450]	8.00 [203]	4.29 [109]	16.85 [428]
	4	21.50 [546]	9.80 [249]	6.18 [157]	19.09 [485]
R330	3	17.72 [450]	8.11 [206]	4.88 [124]	16.85 [428]
	4	21.50 [546]	9.88 [251]	4.88 [172]	19.09 [485]
R400	3	19.09 [485]	8.11 [206]	6.18 [157]	18.11 [460]
	4	23.43 [595]	9.88 [251]		19.09 [485]
R500	3	19.09 [485]	9.37 [238]	6.14 [156]	18.11 [460]
R630	3	25.60 [650]	11.97 [304]	5.47 [139]	24.61 [625]
	4	31.89 [810]	14.33 [364]	6.26 [159]	30.91 [785]

IEC Contactors

Ex9C Accessories: Aux Contact (Front Mount)



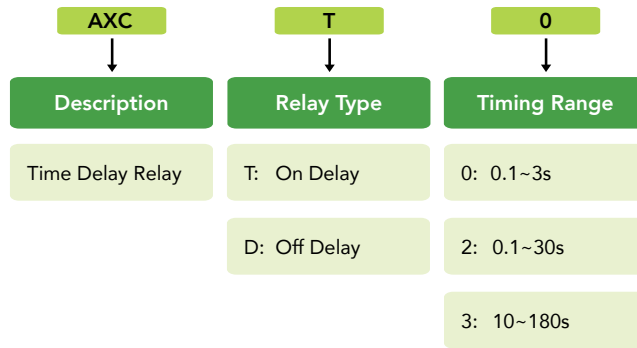
AX	A	11
Description	Contactor Type	Poles
Auxiliary Contact (Front Mount)	A: Ex9CD Standard	02: 2NC
	B: Ex9CM Mini	04: 4NC
		11: 1NO+1NC
		13: 1NO+3NC
		20: 2NO
		22: 2NO+2NC
		31: 3NO+1NC
		40: 4NO

Auxiliary Contact
Side Mount
page 44

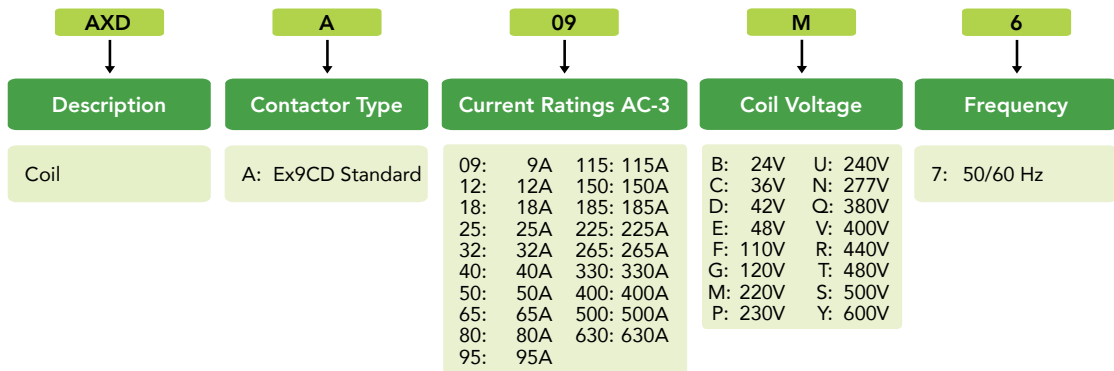
Accessory Description	Matched Contactor	Product	Part Number
Auxiliary Contact (Front Mount)	Ex9CDS09~630 Ex9CDR09~630	AXA02	1311709
		AXA04	1311715
		AXA11	1311711
		AXA13	1311713
		AXA20	1311710
		AXA22	1311712
		AXA31	1311714
		AXA40	1311716
		Ex9CMS06~12 Ex9CMR06~12	AXB02
	AXB04		1311723
	AXB11		1311719
	AXB13		1311721
	AXB20		1311718
	AXB22		1311720
	AXB31		1311722
	AXB40		1311724

IEC Contactors

Ex9C Accessories: Time Delay Relay and Coils



Accessory Description	Matched Contactor	Product	Part Number
Auxiliary Contact (Pneumatic Timer)	Ex9CDS09~630	AXCT0	1311726
		AXCT2	1311727
		AXCT4	1311728
		AXCD0	1311730
		AXCD2	1311729
		AXCD4	1311731



		Ex9CM Mini	Ex9CD - Standard													
		06/09/12	09/12	18	25	32	40/50/60	80/95	115/150	185/225	265	330	400	500	630	
Coil Power	In-Rush (VA)	25~40	70		110		200		660	966	840	1,500				1,700
	Sealed (VA)	2~7	9	9.5	14		57		85.5	91.2	150	34.2				
	Power (W)	1~4	1.8~2.7	3~4		6~10		-	-	-	-	-	-	-	-	-
Operation Range	Operation Voltage	85~110% Us														
	Drop-Out Voltage	20~75% Us														
Coil Voltage (50/60Hz)		24~600														

Note: Product and Part Numbers on pages A42-A43

IEC Contactors

Ex9C Accessories: Coils

Accessory Description	Coil Voltage Vac	09~25A		32~65A		80~150A	
		Product	Part Number	Product	Part Number	Product	Part Number
Coil (See page A41 for description)	24	AXDA09B7	1311750	AXDA32B7	1311798	AXDA80B7	1311846
	48	AXDA09E7	1311978	AXDA32E7	1312026	AXDA80E7	1312074
	110	AXDA09F7	1311742	AXDA32F7	1311790	AXDA80F7	1311838
	120	AXDA09G7	1311744	AXDA32G7	1311792	AXDA80G7	1311840
	220	AXDA09M7	1311972	AXDA32M7	1312020	AXDA80M7	1312068
	230	AXDA09P7	1311746	AXDA32P7	1311794	AXDA80P7	1311842
	240	AXDA09U7	1311748	AXDA32U7	1311796	AXDA80U7	1311844
	277	AXDA09N7	1311980	AXDA32N7	1312028	AAXDA80N7	1312076
	380	AXDA09Q7	1311974	AXDA32Q7	1312022	AXDA80Q7	1312070
	440	AXDA09R7	1311976	AXDA32R7	1312024	AXDA80R7	1312072
	480	AXDA09T7	1311752	AXDA32T7	1311800	AXDA80T7	1311848
	600	AXDA09Y7	1311970	AXDA32Y7	1312018	AXDA80Y7	1312066
	24	AXDA12B7	1311762	AXDA40B7	1311810	AXDA95B7	1311858
	48	AXDA12E7	1311990	AXDA40E7	1312038	AXDA95E7	1312086
	110	AXDA12F7	1311754	AXDA40F7	1311802	AXDA95F7	1311850
	120	AXDA12G7	1311756	AXDA40G7	1311804	AXDA95G7	1311852
	220	AXDA12M7	1311984	AXDA40M7	1312032	AXDA95M7	1312080
	230	AXDA12P7	1311758	AXDA40P7	1311806	AXDA95P7	1311854
	240	AXDA12U7	1311760	AXDA40U7	1311808	AXDA95U7	1311856
	277	AXDA12N7	1311992	AXDA40N7	1312040	AXDA95N7	1312088
	380	AXDA12Q7	1311986	AXDA40Q7	1312034	AXDA95Q7	1312082
	440	AXDA12R7	1311988	AXDA40R7	1312036	AXDA95R7	1312084
	480	AXDA12T7	1311764	AXDA40T7	1311812	AXDA95T7	1311860
	600	AXDA12Y7	1311982	AXDA40Y7	1312030	AXDA95Y7	1312078
	24	AXDA18B7	1311774	AXDA50B7	1311822	AXDA115B7	1311870
	48	AXDA18E7	1312002	AXDA50E7	1312050	AXDA115E7	1312098
	110	AXDA18F7	1311766	AXDA50F7	1311814	AXDA115F7	1311862
	120	AXDA18G7	1311768	AXDA50G7	1311816	AXDA115G7	1311864
	220	AXDA18M7	1311996	AXDA50M7	1312044	AXDA115M7	1312092
	230	AXDA18P7	1311770	AXDA50P7	1311818	AXDA115P7	1311866
	240	AXDA18U7	1311772	AXDA50U7	1311820	AXDA115U7	1311868
	277	AXDA18N7	1312004	AXDA50N7	1312052	AXDA115N7	1312100
	380	AXDA18Q7	1311998	AXDA50Q7	1312046	AXDA115Q7	1312094
	440	AXDA18R7	1312000	AXDA50R7	1312048	AXDA115R7	1312096
	480	AXDA18T7	1311776	AXDA50T7	1311824	AXDA115T7	1311872
	600	AXDA18Y7	1311994	AXDA50Y7	1312042	AXDA115Y7	1312090
	24	AXDA25B7	1311786	AXDA65B7	1311834	AXDA150B7	1311882
	48	AXDA25E7	1312014	AXDA65E7	1312062	AXDA150E7	1312110
	110	AXDA25F7	1311778	AXDA65F7	1311826	AXDA150F7	1311874
	120	AXDA25G7	1311780	AXDA65G7	1311828	AXDA150G7	1311876
	220	AXDA25M7	1312008	AXDA65M7	1312056	AXDA150M7	1312104
	230	AXDA25P7	1311782	AXDA65P7	1311830	AXDA150P7	1311878
	240	AXDA25U7	1311784	AXDA65U7	1311832	AXDA150U7	1311880
	277	AXDA25N7	1312016	AXDA65N7	1312064	AXDA150N7	1312112
	380	AXDA25Q7	1312010	AXDA65Q7	1312058	AXDA150Q7	1312106
	440	AXDA25R7	1312012	AXDA65R7	1312060	AXDA150R7	1312108
	480	AXDA25T7	1311788	AXDA65T7	1311836	AXDA150T7	1311884
	600	AXDA25Y7	1312006	AXDA65Y7	1312054	AXDA150Y7	1312102

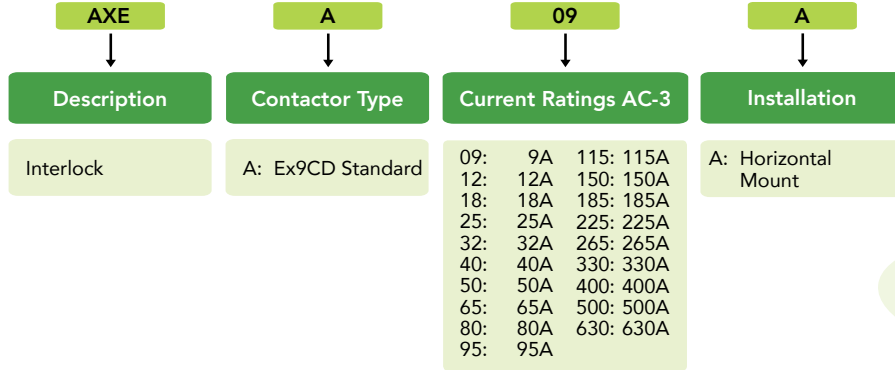
IEC Contactors

Ex9C Accessories: Coils

Accessory Description	Coil Voltage Vac	185~265A		330~500A		630A		
		Product	Part Number	Product	Part Number	Product	Part Number	
Coil (See page A41 for description)	24	AXDA185B7	1311894	AXDA330B7	1311930	AXDA630B7	1311966	
	48	AXDA185E7	1312122	AXDA330E7	1312158	AXDA630E7	1312194	
	110	AXDA185F7	1311886	AXDA330F7	1311922	AXDA630F7	1311958	
	120	AXDA185G7	1311888	AXDA330G7	1311924	AXDA630G7	1311960	
	220	AXDA185M7	1312116	AXDA330M7	1312152	AXDA630M7	1312188	
	230	AXDA185P7	1311890	AXDA330P7	1311926	AXDA630P7	1311962	
	240	AXDA185U7	1311892	AXDA330U7	1311928	AXDA630U7	1311964	
	277	AXDA185N7	1312124	AXDA330N7	1312160	AXDA630N7	1312196	
	380	AXDA185Q7	1312118	AXDA330Q7	1312154	AXDA630Q7	1312190	
	440	AXDA185R7	1312120	AXDA330R7	1312156	AXDA630R7	1312192	
	480	AXDA185T7	1311896	AXDA330T7	1311932	AXDA630T7	1311968	
	600	AXDA185Y7	1312114	AXDA330Y7	1312150	AXDA630Y7	1312186	
		24	AXDA225B7	1311906	AXDA400B7	1311942		
		48	AXDA225E7	1312134	AXDA400E7	1312170		
		110	AXDA225F7	1311898	AXDA400F7	1311934		
		120	AXDA225G7	1311900	AXDA400G7	1311936		
		220	AXDA225M7	1312128	AXDA400M7	1312164		
		230	AXDA225P7	1311902	AXDA400P7	1311938		
		240	AXDA225U7	1311904	AXDA400U7	1311940		
		277	AXDA225N7	1312136	AXDA400N7	1312172		
		380	AXDA225Q7	1312130	AXDA400Q7	1312166		
		440	AXDA225R7	1312132	AXDA400R7	1312168		
		480	AXDA225T7	1311908	AXDA400T7	1311944		
		600	AXDA225Y7	1312126	AXDA400Y7	1312162		
		24	AXDA265B7	1311918	AXDA500B7	1311954		
		48	AXDA265E7	1312146	AXDA500E7	1312182		
		110	AXDA265F7	1311910	AXDA500F7	1311946		
		120	AXDA265G7	1311912	AXDA500G7	1311948		
		220	AXDA265M7	1312140	AXDA500M7	1312176		
		230	AXDA265P7	1311914	AXDA500P7	1311950		
		240	AXDA265U7	1311916	AXDA500U7	1311952		
		277	AXDA265N7	1312148	AXDA500N7	1312184		
		380	AXDA265Q7	1312142	AXDA500Q7	1312178		
		440	AXDA265R7	1312144	AXDA500R7	1312180		
		480	AXDA265T7	1311920	AXDA500T7	1311956		
		600	AXDA265Y7	1312138	AXDA500Y7	1312174		

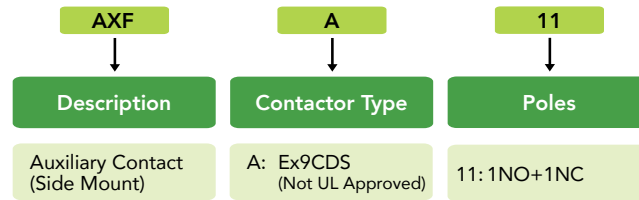
IEC Contactors

Ex9C Accessories: Interlock and Aux Contact (Side Mount)



Auxiliary Contact
Front Mount
page 40

Accessory Description	Product	Part Number	Product	Part Number	Product	Part Number
Interlock (Horizontal Mount)	AXEA09A	1311732	AXEA65A	1311739	AXEA265A	1313234
	AXEA12A	1311733	AXEA80A	1311740	AXEA330A	1313235
	AXEA18A	1311734	AXEA95A	1311741	AXEA400A	1313236
	AXEA25A	1311735	AXEA115A	1313230	AXEA500A	1313237
	AXEA32A	1311736	AXEA150A	1313231	AXEA630A	1313238
	AXEA40A	1311737	AXEA185A	1313232		
	AXEA50A	1311738	AXEA225A	1313233		



Accessory Description	Matched Contactor	Product	Part Number
Auxiliary Contact (Side Mount)	Ex9CDS09~95	AXFA11	1313990

THERMAL OVERLOAD RELAYS



Ex9RD

Thermal Overload Relays

Ex9RD Product Overview

Features

B

- Rated current up to 630A @ 600 Vac, 50/60 Hz
- Overload protection trip Class 10A
- Phase loss sensitivity
- Temperature compensation from -25 to +55°C
- Adjustable current setting for overload protection
- Automatic or manual reset selectable
- Trip-free mechanism
- Status indication
- STOP and TEST function
- Direct mount to contactors or DIN rail mounting base option

Thermal Overload Relays

National and International Standards

Certifications

- IEC/EN 60947
- CE Approved
- UL Listed
- CSA Certified
- RoHS Compliant



Thermal Overload Relays

Ex9RD Product Selection Guide

Label

B



- 1 Brand
- 2 CE Mark
- 3 Adjustable Current Range
- 4 Push to Test
- 5 UL Listed Mark
- 6 Product Series/Frame Amperage
- 7 Manual Stop
- 8 Manual/Auto Reset
- 9 Auxiliary Contacts

Product Selection Guide

Ex9RD	25	A	13																																																																
↓	↓	↓	↓																																																																
NOARK Ex9RD Series	Frame Amperage	Trip Class*	Setting Amperage																																																																
	11.5: 11.5A 25: 25A 36: 36A 93: 93A 200: 200A 360: 630A	A: Class 10A	<table border="0"> <tr> <td>0.16:</td><td>0.1~0.16A</td> <td>36:</td><td>28~36A</td> </tr> <tr> <td>0.25:</td><td>0.16~0.25A</td> <td>40:</td><td>30~40A</td> </tr> <tr> <td>0.4:</td><td>0.25~0.4A</td> <td>50:</td><td>37~50A</td> </tr> <tr> <td>0.63:</td><td>0.4~0.63A</td> <td>65:</td><td>48~65A</td> </tr> <tr> <td>1:</td><td>0.63~1A</td> <td>70:</td><td>55~70A</td> </tr> <tr> <td>1.6:</td><td>1~1.6A</td> <td>80:</td><td>63~80A</td> </tr> <tr> <td>2:</td><td>1.25~2A</td> <td>93:</td><td>80~93A</td> </tr> <tr> <td>2.5:</td><td>1.6~2.5A</td> <td>125:</td><td>80~125A</td> </tr> <tr> <td>4:</td><td>2.5~4A</td> <td>160:</td><td>100~160A</td> </tr> <tr> <td>6:</td><td>4~6A</td> <td>200:</td><td>125~200A</td> </tr> <tr> <td>8:</td><td>5.5~8A</td> <td>250:</td><td>160~250A</td> </tr> <tr> <td>10:</td><td>7~10A</td> <td>315:</td><td>200~315A</td> </tr> <tr> <td>13:</td><td>9~13A</td> <td>400:</td><td>250~400A</td> </tr> <tr> <td>18:</td><td>12~18A</td> <td>500:</td><td>315~500A</td> </tr> <tr> <td>25:</td><td>17~25A</td> <td>630:</td><td>400~630A</td> </tr> <tr> <td>32:</td><td>23~32A</td> <td></td><td></td> </tr> </table>	0.16:	0.1~0.16A	36:	28~36A	0.25:	0.16~0.25A	40:	30~40A	0.4:	0.25~0.4A	50:	37~50A	0.63:	0.4~0.63A	65:	48~65A	1:	0.63~1A	70:	55~70A	1.6:	1~1.6A	80:	63~80A	2:	1.25~2A	93:	80~93A	2.5:	1.6~2.5A	125:	80~125A	4:	2.5~4A	160:	100~160A	6:	4~6A	200:	125~200A	8:	5.5~8A	250:	160~250A	10:	7~10A	315:	200~315A	13:	9~13A	400:	250~400A	18:	12~18A	500:	315~500A	25:	17~25A	630:	400~630A	32:	23~32A		
0.16:	0.1~0.16A	36:	28~36A																																																																
0.25:	0.16~0.25A	40:	30~40A																																																																
0.4:	0.25~0.4A	50:	37~50A																																																																
0.63:	0.4~0.63A	65:	48~65A																																																																
1:	0.63~1A	70:	55~70A																																																																
1.6:	1~1.6A	80:	63~80A																																																																
2:	1.25~2A	93:	80~93A																																																																
2.5:	1.6~2.5A	125:	80~125A																																																																
4:	2.5~4A	160:	100~160A																																																																
6:	4~6A	200:	125~200A																																																																
8:	5.5~8A	250:	160~250A																																																																
10:	7~10A	315:	200~315A																																																																
13:	9~13A	400:	250~400A																																																																
18:	12~18A	500:	315~500A																																																																
25:	17~25A	630:	400~630A																																																																
32:	23~32A																																																																		

Note: Consult NOARK for information on Tripping Class 10 and 20

Thermal Overload Relays

Ex9RD 11.5~36A

Certifications
IEC/EN 60947-4-1



11.5A



25A



36A

Current Range Amp (Min-Max)	Use with Contactors: Ex9CM06~12				Use with Contactors: Ex9CD09~32				Use with Contactors: Ex9CD32			
	Matched Fuse		Product	Part Number	Matched Fuse		Product	Part Number	Matched Fuse		Product	Part Number
aM	gG	aM			gG	aM			gG			
0.1-0.16	0.25	2	Ex9RD11.5A0.16	1410001	0.25	2	Ex9RD25A0.16	1410014	-	-	-	-
0.16-0.25	0.5	2	Ex9RD11.5A0.25	1410002	0.5	2	Ex9RD25A0.25	1410015	-	-	-	-
0.25-0.4	1	2	Ex9RD11.5A0.4	1410003	1	2	Ex9RD25A0.4	1410016	-	-	-	-
0.4-0.63	1	2	Ex9RD11.5A0.63	1410004	1	2	Ex9RD25A0.63	1410017	-	-	-	-
0.63-1	2	4	Ex9RD11.5A1	1410005	2	4	Ex9RD25A1	1410018	-	-	-	-
1-1.6	2	4	Ex9RD11.5A1.6	1410008	2	4	Ex9RD25A1.6	1410019	-	-	-	-
1.25-2	4	6	Ex9RD11.5A2	1410006	4	6	Ex9RD25A2	1410020	-	-	-	-
1.6-2.5	4	6	Ex9RD11.5A2.5	1410007	4	6	Ex9RD25A2.5	1410021	-	-	-	-
2.5-4	6	10	Ex9RD11.5A4	1410009	6	10	Ex9RD25A4	1410022	-	-	-	-
4-6	8	16	Ex9RD11.5A6	1410010	8	16	Ex9RD25A6	1410023	-	-	-	-
5.5-8	12	20	Ex9RD11.5A8	1410011	12	20	Ex9RD25A8	1410024	-	-	-	-
7-10	12	20	Ex9RD11.5A10	1410012	12	20	Ex9RD25A10	1410025	-	-	-	-
9-13	16	25	Ex9RD11.5A13	1410013	16	25	Ex9RD25A13	1410026	-	-	-	-
12-18	-	-	-	-	20	35	Ex9RD25A18	1410027	-	-	-	-
17-25	-	-	-	-	25	50	Ex9RD25A25	1410028	-	-	-	-
23-32	-	-	-	-	-	-	-	-	40	63	Ex9RD36A32	1410030
28-36	-	-	-	-	-	-	-	-	40	80	Ex9RD36A36	1410031

For accessories, see page B57.

Thermal Overload Relays

Ex9RD 93~630A

Certifications
IEC/EN 60947-4-1

CE cULus LISTED

B



93A



200A



630A

Current Range Amp (Min-Max)	Use with Contactors: Ex9CD40~95				Use with Contactors: Ex9CD115~225				Use with Contactors: Ex9CD185~630			
	Matched Fuse		Product	Part Number	Matched Fuse		Product	Part Number	Matched Fuse		Product	Part Number
	aM	gG			aM	gG			aM	gG		
23-32	40	63	Ex9RD93A32	1410032	-	-	-	-	-	-	-	-
30-40	40	100	Ex9RD93A40	1410033	-	-	-	-	-	-	-	-
37-50	63	100	Ex9RD93A50	1410034	-	-	-	-	-	-	-	-
48-65	63	100	Ex9RD93A65	1410035	-	-	-	-	-	-	-	-
55-70	80	125	Ex9RD93A70	1410036	-	-	-	-	-	-	-	-
63-80	80	125	Ex9RD93A80	1410037	-	-	-	-	-	-	-	-
80-93	100	160	Ex9RD93A93	1410038	-	-	-	-	-	-	-	-
80-125	-	-	-	-	125	200	Ex9RD200A125	1410039	-	-	-	-
100-160	-	-	-	-	160	250	Ex9RD200A160	1410040	-	-	-	-
125-200	-	-	-	-	200	315	Ex9RD200A200	1410041	-	-	-	-
160-250	-	-	-	-	-	-	-	-	250	400	Ex9RD630A250	1410042
200-315	-	-	-	-	-	-	-	-	315	500	Ex9RD630A315	1410043
250-400	-	-	-	-	-	-	-	-	400	630	Ex9RD630A400	1410044
315-500	-	-	-	-	-	-	-	-	500	800	Ex9RD630A500	1410045
400-630	-	-	-	-	-	-	-	-	630	800	Ex9RD630A630	1410046

For accessories, see page B57.

Thermal Overload Relays

Ex9RD Specifications

Ex9RD		11.5A														
Current Class (A)		13														
Phase Failure Protection Function																
Automatic and Manual Reset																
Temperature Compensation																
Tripping Indicator		Yes														
Test and Stop Pushbutton																
Mounting Mode	Plug-In															
	Independent															
Auxiliary Contacts	Number of Contacts	1NO+1NC														
	Rated Current (A) (15A 220 Vac)	2.73														
	Rated Current (A) (15A 380 Vac)	1.58														
	Rated Current (A) (15A 220 Vdc)	0.2														
Current Setting Range (A)		0.1~ 0.16	0.16~ 0.25	0.25~ 0.4	0.4~ 0.63	0.63~ 1	1~ 1.6	1.25~ 2	1.6~ 2.5	2.5~ 4	4~6	5.5~8	7~10	9~13		
Matched Fuse	aM (A)	0.25	0.5	1		2		4		6	8	12		16		
	gG (A)	2			4		6		10	16	20		25			
Ex9RD		25A														
Current Class (A)		25														
Phase Failure Protection Function																
Automatic and Manual Reset																
Temperature Compensation																
Tripping Indicator		Yes														
Test and Stop Pushbutton																
Mounting Mode	Plug-In															
	Independent															
Auxiliary Contacts	Number of Contacts	1NO+1NC														
	Rated Current (A) (15A 220 Vac)	2.73														
	Rated Current (A) (15A 380 Vac)	1.58														
	Rated Current (A) (15A 220 Vdc)	0.2														
Current Setting Range (A)		0.1~ 0.16	0.16~ 0.25	0.25~ 0.4	0.4~ 0.63	0.63~ 1	1~ 1.6	1.25~ 2	1.6~ 2.5	2.5~ 4	4~6	5.5~ 8	7~ 10	9~ 13	12~ 18	17~ 25
Matched Fuse	aM (A)	0.25	0.5	1		2		4		6	8	12		16	20	25
	gG (A)	2			4		6		10	16	20		25	35	50	
Ex9RD		36A														
Current Class (A)		36														
Phase Failure Protection Function																
Automatic and Manual Reset																
Temperature Compensation																
Tripping Indicator		Yes														
Test and Stop Pushbutton																
Mounting Mode	Plug-In															
	Independent															
Auxiliary Contacts	Number of Contacts	1NO+1NC														
	Rated Current (A) (15A 220 Vac)	2.73														
	Rated Current (A) (15A 380 Vac)	1.58														
	Rated Current (A) (15A 220 Vdc)	0.2														
Current Setting Range (A)		23~32						28~36								
Matched Fuse	aM (A)	40						40								
	gG (A)	63						80								

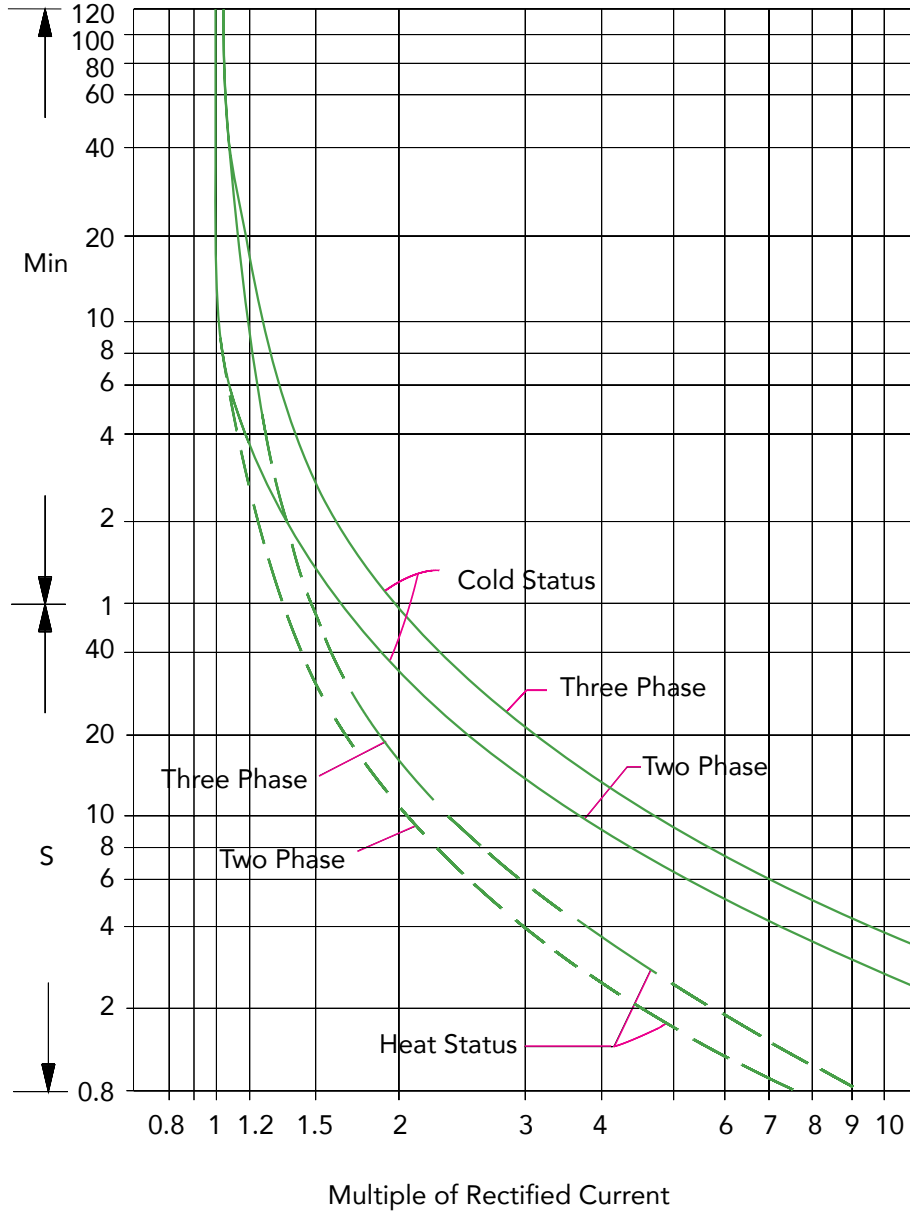
Thermal Overload Relays

Ex9RD Specifications

B

Ex9RD		93A						
Current Class (A)		93						
Phase Failure Protection Function								
Automatic and Manual Reset								
Temperature Compensation								
Tripping Indicator		Yes						
Test and Stop Pushbutton								
Mounting Mode	Plug-In							
	Independent							
Auxiliary Contacts	Number of Contacts	1NO+1NC						
	Rated Current (A) (15A 220 Vac)	2.73						
	Rated Current (A) (15A 380 Vac)	1.58						
	Rated Current (A) (15A 220 Vdc)	0.2						
Current Setting Range (A)		23~32	30~40	37~50	48~65	55~70	63~80	80~93
Matched Fuse	aM (A)	40		63		80		100
	gG (A)	63	100			125		160
Ex9RD		200A						
Current Class (A)		200						
Phase Failure Protection Function								
Automatic and Manual Reset								
Temperature Compensation		Yes						
Tripping Indicator								
Test and Stop Pushbutton								
Mounting Mode	Plug-In	No						
	Independent	Yes						
Auxiliary Contacts	Number of Contacts	1NO+1NC						
	Rated Current (A) (15A 220 Vac)	2.73						
	Rated Current (A) (15A 380 Vac)	1.58						
	Rated Current (A) (15A 220 Vdc)	0.2						
Current Setting Range (A)		80~125		100~160		125~200		
Matched Fuse	aM (A)	125		160		200		
	gG (A)	200		250		315		
Ex9RD		630A						
Current Class (A)		630						
Phase Failure Protection Function								
Automatic and Manual Reset								
Temperature Compensation		Yes						
Tripping Indicator								
Test and Stop Pushbutton								
Mounting Mode	Plug-In	No						
	Independent	Yes						
Auxiliary Contacts	Number of Contacts	1NO+1NC						
	Rated Current (A) (15A 220 Vac)	2.73						
	Rated Current (A) (15A 380 Vac)	1.58						
	Rated Current (A) (15A 220 Vdc)	0.2						
Current Setting Range (A)		160~250	200~315	250~400	315~500	400~630		
Matched Fuse	aM (A)	250	315	400	500	630		
	gG (A)	400	500	630	800			

Thermal Overload Relays Ex9RD Trip Curves



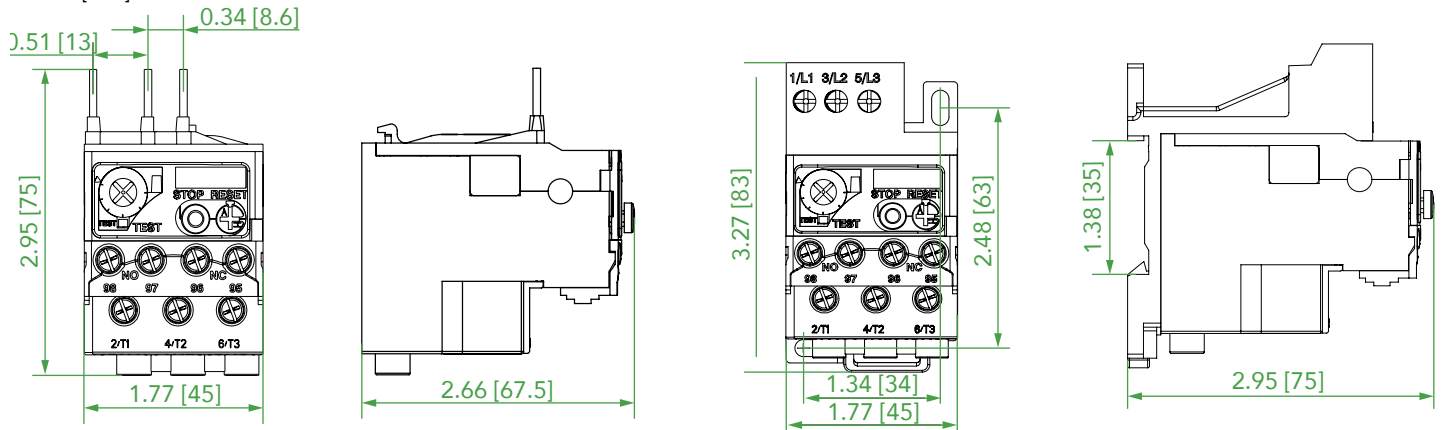
Thermal Overload Relays

Ex9RD Dimensions

B

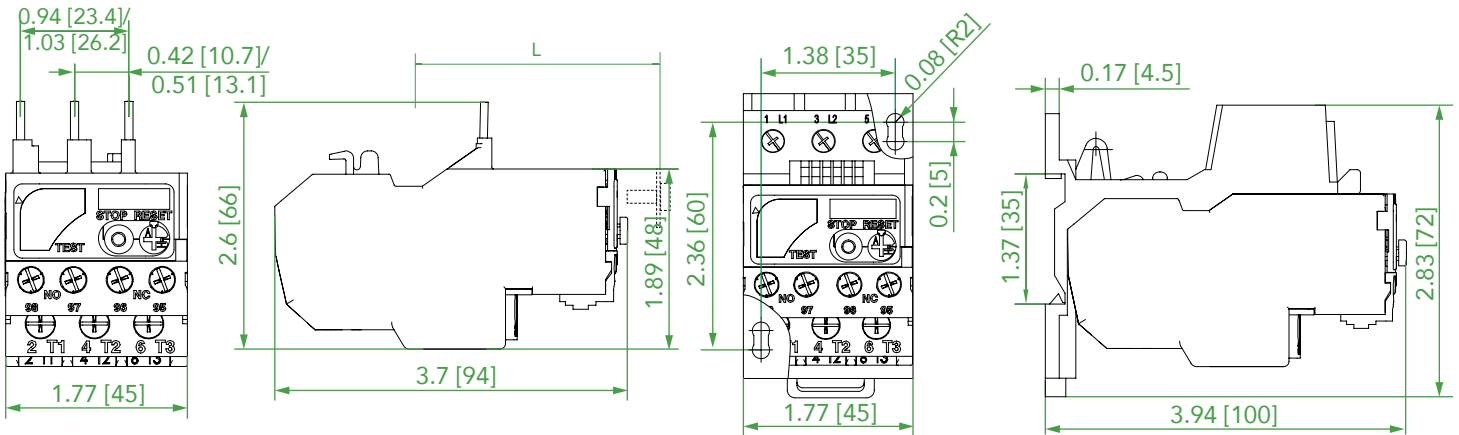
Ex9RDS11.5

Unit: in. [mm]



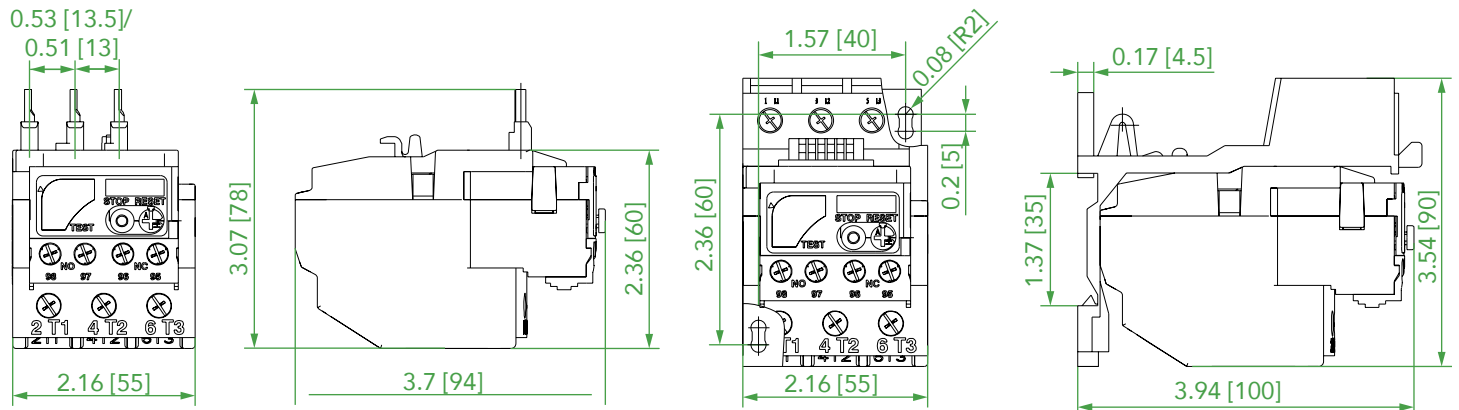
Ex9RD25

Unit: in. [mm]



Ex9RD36

Unit: in. [mm]

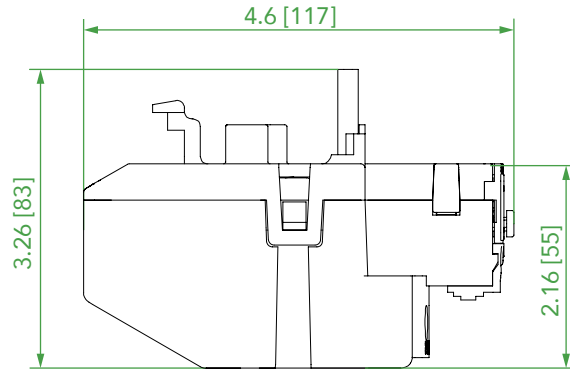
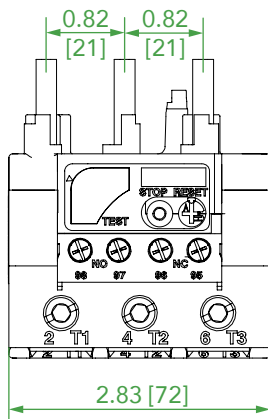


Thermal Overload Relays

Ex9RD Dimensions

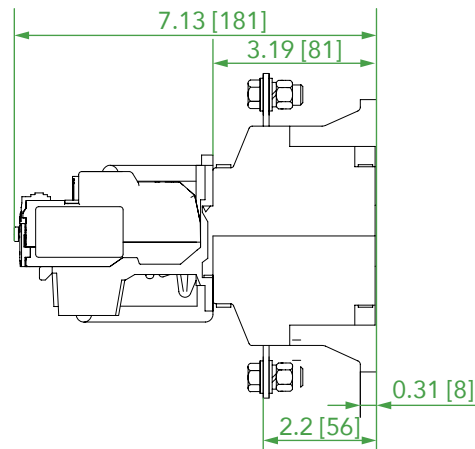
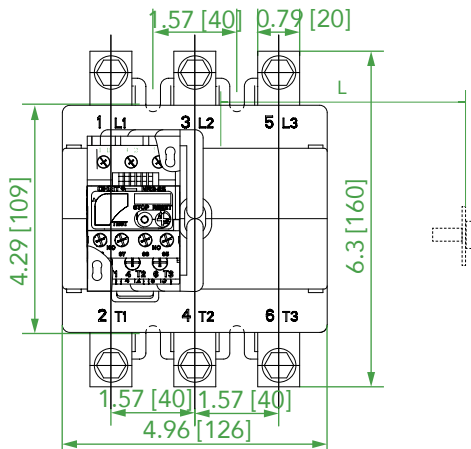
Ex9RDS93

Unit: in. [mm]



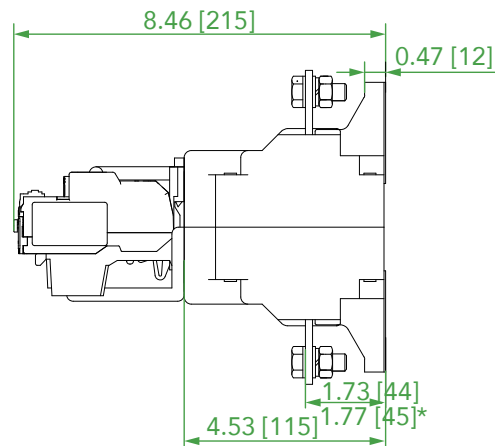
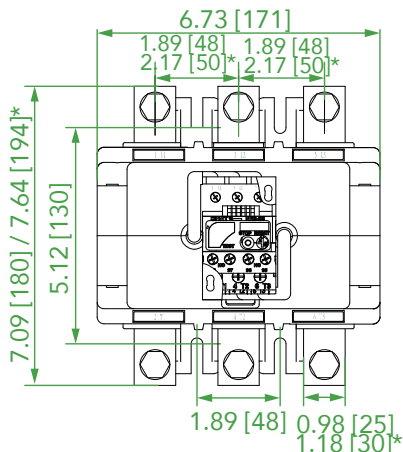
Ex9RD200

Unit: in. [mm]



Ex9RD630

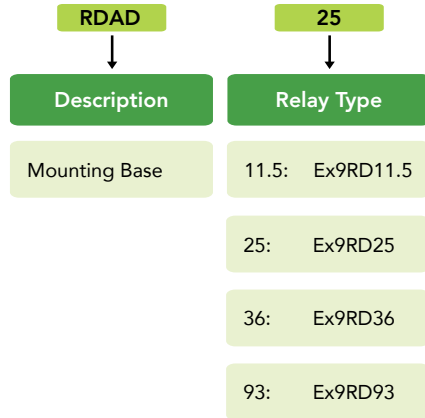
Unit: in. [mm]



Note: Dimensions with "*" for the product over 400A.

Thermal Overload Relays

Ex9RD Accessories: Mounting Base



B

Accessory Description	Product	Part Number
Mounting Base	RDAD11.5	1410052
	RDAD25	1410049
	RDAD36	1410050
	RDAD93	1410051

DEFINITE PURPOSE CONTACTORS



Ex9CK

Definite Purpose Contactors

Ex9CK Product Overview

Features

- Rated current from 20~90A
- Coil voltages from 24~600 Vac, 50/60 Hz
- Coil is Class H (180°C)
- Available with enclosed coils for protection against partical contamination
- 1, 2, 3 and 4 pole configurations
- Industry standard mounting plate provides easily accessible mounting holes
- More connection terminal options, including screw or lug connections each with quick connect spades
- Double E magnet assembly provides optimal performance with reduced power consumption
- 1NO+1NC auxiliary contact block with 600 Vac available as an option
- Base assembly is made from high arc-resistant polyester

C

Definite Purpose Contactors

Ex9CK National and International Standards

Certifications

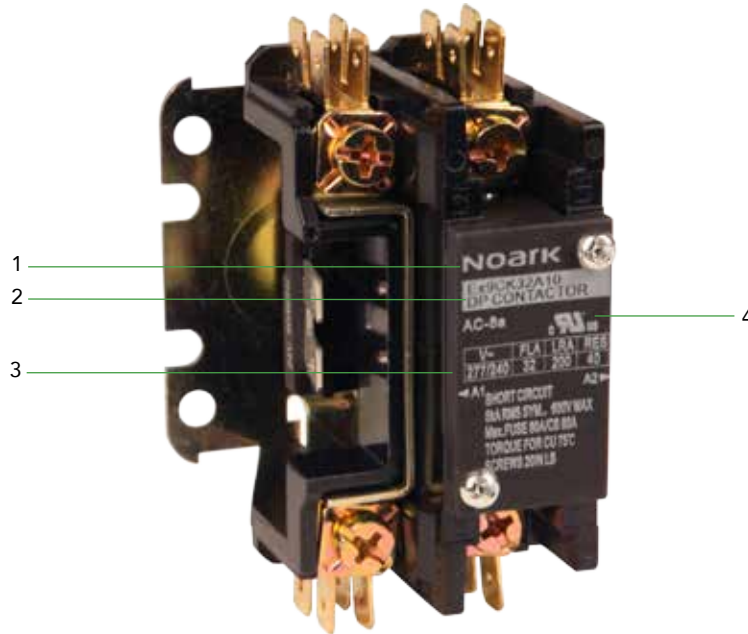
- IEC/EN 60947
- VDE
- UL Recognized Component
- CSA Certified
- RoHS Compliant



Definite Purpose Contactors

Ex9CK Product Selection Guide

Label



- 1 Brand
- 2 Product Selection
- 3 AC Coil Voltage
- 4 UL Recognized Component

Product Selection Guide

Ex9CK	40	A	30	G	7	E
NOARK Ex9CK Series	Full Load Amperage (FLA)	Terminal	Poles	Coil Voltage	Frequency	Coil
	20: 20A 50: 50A 25: 25A 60: 60A 30: 35A 75: 75A 32: 32A 90: 90A 40: 40A	A: Screw B: Lug	10: 1NO+1Shunt 20: 2NO 30: 3NO 40: 4NO (30/40A Only)	B: 24V N: 277V C: 36V Q: 380V D: 42V V: 400V E: 48V N: 415V F: 110V R: 440V G: 120V T: 480V M: 220V S: 500V P: 230V Y: 600V U: 240V	7: 50/60 Hz	Blank: Open Coil E: Enclosed Coil (Available for all 3 and 4 pole contactors; only have a screw terminal)

Definite Purpose Contactors

Ex9CK 20A

- Auxiliary contacts for 3 pole only; see page C69 for part numbers
- All 3 and 4 poles available with enclosed coils and a screw terminal; add "E" suffix to end of Part Number; contact NOARK sales for ordering assistance



Certifications	
IEC/EN 60947-4-1	
CE	UL US

20A Lug

Coil Voltage Vac	1 Pole 1NO+1 Shunt		2 Poles 2NO		3 Poles 3NO	
	Product	Part Number	Product	Part Number	Product	Part Number
24	Ex9CK20B10B7	1311360	Ex9CK20B20B7	1313921	Ex9CK20B30B7	1313935
48	Ex9CK20B10E7	1313557	Ex9CK20B20E7	1313963	Ex9CK20B30E7	1313977
110	Ex9CK20B10F7	1311362	Ex9CK20B20F7	1313923	Ex9CK20B30F7	1313937
120	Ex9CK20B10G7	1311364	Ex9CK20B20G7	1313925	Ex9CK20B30G7	1313939
220	Ex9CK20B10M7	1313561	Ex9CK20B20M7	1313967	Ex9CK20B30M7	1313981
230	Ex9CK20B10P7	1311368	Ex9CK20B20P7	1313929	Ex9CK20B30P7	1313943
240	Ex9CK20B10U7	1311372	Ex9CK20B20U7	1313933	Ex9CK20B30U7	1313947
277	Ex9CK20B10N7	1311366	Ex9CK20B20N7	1313927	Ex9CK20B30N7	1313941
380	Ex9CK20B10Q7	1313565	Ex9CK20B20Q7	1313971	Ex9CK20B30Q7	1313985
440	Ex9CK20B10R7	1313569	Ex9CK20B20R7	1313975	Ex9CK20B30R7	1313989
480	Ex9CK20B10T7	1311370	Ex9CK20B20T7	1313931	Ex9CK20B30T7	1313945
600	Ex9CK20B10Y7	1313559	Ex9CK20B20Y7	1313965	Ex9CK20B30Y7	1313979

20A Screw

Coil Voltage Vac	1 Pole 1NO+1 Shunt		2 Poles 2NO		20A Ratings	1 Pole		2 Poles		3 Poles		
	Product	Part Number	Product	Part Number								
24	Ex9CK20A10B7	1311346	Ex9CK20A20B7	1313907	Full Load Amperes (A)	20		15		20 15		
48	Ex9CK20A10E7	1313543	Ex9CK20A20E7	1313949								
110	Ex9CK20A10F7	1311348	Ex9CK20A20F7	1313909	Conventional Thermal Current (A)	32						
120	Ex9CK20A10G7	1311350	Ex9CK20A20G7	1313911								
220	Ex9CK20A10M7	1313547	Ex9CK20A20M7	1313953	Line Voltage (Vac)	277	240/277	480	600	240/277	480	600
230	Ex9CK20A10P7	1311354	Ex9CK20A20P7	1313915								
240	Ex9CK20A10U7	1311358	Ex9CK20A20U7	1313919	Locked Rotor (A)	150		120		90		
277	Ex9CK20A10N7	1311352	Ex9CK20A20N7	1313913								
380	Ex9CK20A10Q7	1313551	Ex9CK20A20Q7	1313957								
440	Ex9CK20A10R7	1313555	Ex9CK20A20R7	1313961								
480	Ex9CK20A10T7	1311356	Ex9CK20A20T7	1313917								
600	Ex9CK20A10Y7	1313545	Ex9CK20A20Y7	1313951								

For accessories, see page C69.

Definite Purpose Contactors

Ex9CK 25A

- Auxiliary contacts for 3 pole only; see page C69 for part numbers
- All 3 and 4 poles available with enclosed coils and a screw terminal; add "E" suffix to end of Part Number; contact NOARK sales for ordering assistance



Certifications
IEC/EN 60947-4-1
CE cULus

C

25A Lug

Coil Voltage Vac	1 Pole 1NO+1 Shunt		2 Poles 2NO		3 Poles 3NO	
	Product	Part Number	Product	Part Number	Product	Part Number
24	Ex9CK25B10B7	1311402	Ex9CK25B20B7	1311416	Ex9CK25B30B7	1311430
48	Ex9CK25B10E7	1313599	Ex9CK25B20E7	1313613	Ex9CK25B30E7	1313627
110	Ex9CK25B10F7	1311404	Ex9CK25B20F7	1311418	Ex9CK25B30F7	1311432
120	Ex9CK25B10G7	1311406	Ex9CK25B20G7	1311420	Ex9CK25B30G7	1311434
220	Ex9CK25B10M7	1313603	Ex9CK25B20M7	1313617	Ex9CK25B30M7	1313631
230	Ex9CK25B10P7	1311410	Ex9CK25B20P7	1311424	Ex9CK25B30P7	1311438
240	Ex9CK25B10U7	1311414	Ex9CK25B20U7	1311428	Ex9CK25B30U7	1311442
277	Ex9CK25B10N7	1311408	Ex9CK25B20N7	1311422	Ex9CK25B30N7	1311436
380	Ex9CK25B10Q7	1313607	Ex9CK25B20Q7	1313621	Ex9CK25B30Q7	1313635
440	Ex9CK25B10R7	1313611	Ex9CK25B20R7	1313625	Ex9CK25B30R7	1313639
480	Ex9CK25B10T7	1311412	Ex9CK25B20T7	1311426	Ex9CK25B30T7	1311440
600	Ex9CK25B10Y7	1313601	Ex9CK25B20Y7	1313615	Ex9CK25B30Y7	1313629

25A Screw

Coil Voltage Vac	1 Pole 1NO+1 Shunt		2 Poles 2NO		25A Ratings	1 Pole			2 Poles			3 Poles						
	Product	Part Number	Product	Part Number		Full Load Amperes (A)	Conventional Thermal Current (A)	Line Voltage (Vac)	Locked Rotor (A)	Full Load Amperes (A)	Conventional Thermal Current (A)	Line Voltage (Vac)	Locked Rotor (A)	Full Load Amperes (A)	Conventional Thermal Current (A)	Line Voltage (Vac)	Locked Rotor (A)	
24	Ex9CK25A10B7	1311374	Ex9CK25A20B7	1311388	Full Load Amperes (A)	25	20	15	25	20	15	25	20	15	25	20	15	
48	Ex9CK25A10E7	1313571	Ex9CK25A20E7	1313585														
110	Ex9CK25A10F7	1311376	Ex9CK25A20F7	1311390	Conventional Thermal Current (A)	32	480	600	240/277	480	600	150	120	90	150	110	90	
120	Ex9CK25A10G7	1311378	Ex9CK25A20G7	1311392														
220	Ex9CK25A10M7	1313575	Ex9CK25A20M7	1313589	Line Voltage (Vac)	277	240/277	480	600	240/277	480	600	150	120	90	150	110	90
230	Ex9CK25A10P7	1311382	Ex9CK25A20P7	1311396														
240	Ex9CK25A10U7	1311386	Ex9CK25A20U7	1311400	Locked Rotor (A)	150	120	90	150	110	90	150	120	90	150	110	90	
277	Ex9CK25A10N7	1311380	Ex9CK25A20N7	1311394														
380	Ex9CK25A10Q7	1313579	Ex9CK25A20Q7	1313593														
440	Ex9CK25A10R7	1313583	Ex9CK25A20R7	1313597														
480	Ex9CK25A10T7	1311384	Ex9CK25A20T7	1311398														
600	Ex9CK25A10Y7	1313573	Ex9CK25A20Y7	1313587														

For accessories, see page C69.

Definite Purpose Contactors

Ex9CK 30A

- Auxiliary contacts for 3 pole only; see page C69 for part numbers
- All 3 and 4 poles available with enclosed coils and a screw terminal; add "E" suffix to end of Part Number; contact NOARK sales for ordering assistance



30A Lug

Coil Voltage Vac	1 Pole 1NO+1 Shunt		2 Poles 2NO		3 Poles 3NO		30A Ratings	1 Pole			2 Poles		
	Product	Part Number	Product	Part Number	Product	Part Number							
24	Ex9CK30B10B7	1311472	Ex9CK30B20B7	1311486	Ex9CK30B30B7	1311500	Full Load Amperes (A)	30	25	20	40		
48	Ex9CK30B10E7	1313669	Ex9CK30B20E7	1313683	Ex9CK30B30E7	1313697							
110	Ex9CK30B10F7	1311474	Ex9CK30B20F7	1311488	Ex9CK30B30F7	1311502	Conventional Thermal Current (A)	40					
120	Ex9CK30B10G7	1311476	Ex9CK30B20G7	1311490	Ex9CK30B30G7	1311504							
220	Ex9CK30B10M7	1313673	Ex9CK30B20M7	1313687	Ex9CK30B30M7	1313701	Line Voltage (Vac)	277	240/ 277	480	600		
230	Ex9CK30B10P7	1311480	Ex9CK30B20P7	1311494	Ex9CK30B30P7	1311508							
240	Ex9CK30B10U7	1311484	Ex9CK30B20U7	1311498	Ex9CK30B30U7	1311512	Locked Rotor (A)	200	150	120			
277	Ex9CK30B10N7	1311478	Ex9CK30B20N7	1311492	Ex9CK30B30N7	1311506							
380	Ex9CK30B10Q7	1313677	Ex9CK30B20Q7	1313692	Ex9CK30B30Q7	1313705							
440	Ex9CK30B10R7	1313681	Ex9CK30B20R7	1313695	Ex9CK30B30R7	1313709							
480	Ex9CK30B10T7	1311482	Ex9CK30B20T7	1311496	Ex9CK30B30T7	1311510							
600	Ex9CK30B10Y7	1313671	Ex9CK30B20Y7	1313685	Ex9CK30B30Y7	1313699							

30A Screw

Coil Voltage Vac	1 Pole 1NO+1 Shunt		2 Poles 2NO		4 Poles 4NO		30A Ratings	3 & 4 Poles		
	Product	Part Number	Product	Part Number	Product	Part Number				
24	Ex9CK30A10B7	1311444	Ex9CK30A20B7	1311458	Ex9CK30A40B7	1314005	Full Load Amperes (A)	32	25	20
48	Ex9CK30A10E7	1313641	Ex9CK30A20E7	1313655	Ex9CK30A40E7	1314012				
110	Ex9CK30A10F7	1311446	Ex9CK30A20F7	1311460	Ex9CK30A40F7	1314006	Conventional Thermal Current (A)	40		
120	Ex9CK30A10G7	1311448	Ex9CK30A20G7	1311462	Ex9CK30A40G7	1314007				
220	Ex9CK30A10M7	1313645	Ex9CK30A20M7	1313659	Ex9CK30A40M7	1314014	Line Voltage (Vac)	240/ 277	480	600
230	Ex9CK30A10P7	1311452	Ex9CK30A20P7	1311466	Ex9CK30A40P7	1314009				
240	Ex9CK30A10U7	1311456	Ex9CK30A20U7	1311470	Ex9CK30A40U7	1314011	Locked Rotor (A)	200	115	95
277	Ex9CK30A10N7	1311450	Ex9CK30A20N7	1311464	Ex9CK30A40N7	1314008				
380	Ex9CK30A10Q7	1313649	Ex9CK30A20Q7	1313663	Ex9CK30A40Q7	1314016				
440	Ex9CK30A10R7	1313653	Ex9CK30A20R7	1313667	Ex9CK30A40R7	1314018				
480	Ex9CK30A10T7	1311454	Ex9CK30A20T7	1311468	Ex9CK30A40T7	1314010				
600	Ex9CK30A10Y7	1313643	Ex9CK30A20Y7	1313657	Ex9CK30A40Y7	1314013				

For accessories, see page C69.

Definite Purpose Contactors

Ex9CK 32A

- Auxiliary contacts for 3 pole only; see page C69 for part numbers
- All 3 and 4 poles available with enclosed coils and a screw terminal; add "E" suffix to end of Part Number; contact NOARK sales for ordering assistance



Certifications
IEC/EN 60947-4-1
CE cRUus

C

32A Lug

Coil Voltage Vac	1 Pole 1NO+1 Shunt		2 Poles 2NO		3 Poles 3NO	
	Product	Part Number	Product	Part Number	Product	Part Number
24	Ex9CK32B10B7	1311542	Ex9CK32B20B7	1311556	Ex9CK32B30B7	1311570
48	Ex9CK32B10E7	1313739	Ex9CK32B20E7	1313753	Ex9CK32B30E7	1313767
110	Ex9CK32B10F7	1311544	Ex9CK32B20F7	1311558	Ex9CK32B30F7	1311572
120	Ex9CK32B10G7	1311546	Ex9CK32B20G7	1311560	Ex9CK32B30G7	1311574
220	Ex9CK32B10M7	1313743	Ex9CK32B20M7	1313757	Ex9CK32B30M7	1313771
230	Ex9CK32B10P7	1311550	Ex9CK32B20P7	1311564	Ex9CK32B30P7	1311578
240	Ex9CK32B10U7	1311554	Ex9CK32B20U7	1311568	Ex9CK32B30U7	1311582
277	Ex9CK32B10N7	1311548	Ex9CK32B20N7	1311562	Ex9CK32B30N7	1311576
380	Ex9CK32B10Q7	1313747	Ex9CK32B20Q7	1313761	Ex9CK32B30Q7	1313775
440	Ex9CK32B10R7	1313751	Ex9CK32B20R7	1313765	Ex9CK32B30R7	1313779
480	Ex9CK32B10T7	1311552	Ex9CK32B20T7	1311566	Ex9CK32B30T7	1311580
600	Ex9CK32B10Y7	1313741	Ex9CK32B20Y7	1313755	Ex9CK32B30Y7	1313769

32A Screw

Coil Voltage Vac	1 Pole 1NO+1 Shunt		2 Poles 2NO		32A Ratings							
	Product	Part Number	Product	Part Number	1 Pole	2 Poles		3 Poles				
24	Ex9CK32A10B7	1311514	Ex9CK32A20B7	1311528	Full Load Amperes (A)	32	25	20	32	25	20	
48	Ex9CK32A10E7	1313711	Ex9CK32A20E7	1313725								
110	Ex9CK32A10F7	1311516	Ex9CK32A20F7	1311530	Conventional Thermal Current (A)	40						
120	Ex9CK32A10G7	1311518	Ex9CK32A20G7	1311532								
220	Ex9CK32A10M7	1313715	Ex9CK32A20M7	1313729								
230	Ex9CK32A10P7	1311522	Ex9CK32A20P7	1311536								
240	Ex9CK32A10U7	1311526	Ex9CK32A20U7	1311540	Line Voltage (Vac)	277	240/ 277	480	600	240/ 277	480	600
277	Ex9CK32A10N7	1311520	Ex9CK32A20N7	1311534								
380	Ex9CK32A10Q7	1313719	Ex9CK32A20Q7	1313733								
440	Ex9CK32A10R7	1313723	Ex9CK32A20R7	1313737	Locked Rotor (A)	200	150	120	240	150	120	
480	Ex9CK32A10T7	1311524	Ex9CK32A20T7	1311538								
600	Ex9CK32A10Y7	1313713	Ex9CK32A20Y7	1313727								

For accessories, see page C69.

Definite Purpose Contactors

Ex9CK 40A

- Auxiliary contacts for 3 pole only; see page C69 for part numbers
- All 3 and 4 poles available with enclosed coils and a screw terminal; add "E" suffix to end of Part Number; contact NOARK sales for ordering assistance



40A Lug

Coil Voltage Vac	1 Pole 1NO+1 Shunt		2 Poles 2NO		3 Poles 3NO		40A Ratings	1 Pole			2 Poles		
	Product	Part Number	Product	Part Number	Product	Part Number							
24	Ex9CK40B10B7	1311612	Ex9CK40B20B7	1311626	Ex9CK40B30B7	1311640	Full Load Amperes (A)	40	32	25	50		
48	Ex9CK40B10E7	1313809	Ex9CK40B20E7	1313823	Ex9CK40B30E7	1313837							
110	Ex9CK40B10F7	1311614	Ex9CK40B20F7	1311628	Ex9CK40B30F7	1311642	Conventional Thermal Current (A)	50					
120	Ex9CK40B10G7	1311616	Ex9CK40B20G7	1311630	Ex9CK40B30G7	1311644							
220	Ex9CK40B10M7	1313813	Ex9CK40B20M7	1313827	Ex9CK40B30M7	1313841	Line Voltage (Vac)	277	240/ 277	480	600		
230	Ex9CK40B10P7	1311620	Ex9CK40B20P7	1311634	Ex9CK40B30P7	1311648							
240	Ex9CK40B10U7	1311624	Ex9CK40B20U7	1311638	Ex9CK40B30U7	1311652	Locked Rotor (A)	240	200	160			
277	Ex9CK40B10N7	1311618	Ex9CK40B20N7	1311632	Ex9CK40B30N7	1311646							
380	Ex9CK40B10Q7	1313817	Ex9CK40B20Q7	1313831	Ex9CK40B30Q7	1313845							
440	Ex9CK40B10R7	1313821	Ex9CK40B20R7	1313835	Ex9CK40B30R7	1313849							
480	Ex9CK40B10T7	1311622	Ex9CK40B20T7	1311636	Ex9CK40B30T7	1311650							
600	Ex9CK40B10Y7	1313811	Ex9CK40B20Y7	1313825	Ex9CK40B30Y7	1313839							

40A Screw

Coil Voltage Vac	1 Pole 1NO+1 Shunt		2 Poles 2NO		4 Poles 4NO		0A Ratings	3 & 4 Poles		
	Product	Part Number	Product	Part Number	Product	Part Number				
24	Ex9CK40A10B7	1311584	Ex9CK40A20B7	1311598	Ex9CK40A40B7	1313991	Full Load Amperes (A)	40	32	25
48	Ex9CK40A10E7	1313781	Ex9CK40A20E7	1313795	Ex9CK40A40E7	1313998				
110	Ex9CK40A10F7	1311586	Ex9CK40A20F7	1311600	Ex9CK40A40F7	1313992	Conventional Thermal Current (A)	50		
120	Ex9CK40A10G7	1311588	Ex9CK40A20G7	1311602	Ex9CK40A40G7	1313993				
220	Ex9CK40A10M7	1313785	Ex9CK40A20M7	1313799	Ex9CK40A40M7	1314000	Line Voltage (Vac)	240/ 277	480	600
230	Ex9CK40A10P7	1311592	Ex9CK40A20P7	1311606	Ex9CK40A40P7	1313995				
240	Ex9CK40A10U7	1311596	Ex9CK40A20U7	1311610	Ex9CK40A40U7	1313997	Locked Rotor (A)	240	150	120
277	Ex9CK40A10N7	1311590	Ex9CK40A20N7	1311604	Ex9CK40A40N7	1313994				
380	Ex9CK40A10Q7	1313789	Ex9CK40A20Q7	1313803	Ex9CK40A40Q7	1314002				
440	Ex9CK40A10R7	1313793	Ex9CK40A20R7	1313807	Ex9CK40A40R7	1314004				
480	Ex9CK40A10T7	1311594	Ex9CK40A20T7	1311608	Ex9CK40A40T7	1313996				
600	Ex9CK40A10Y7	1313783	Ex9CK40A20Y7	1313797	Ex9CK40A40Y7	1313999				

For accessories, see page C69.

Definite Purpose Contactors

Ex9CK 50~90A

- Auxiliary contacts for 3 pole only; see page C69 for part numbers
- All 3 and 4 poles available with enclosed coils and a screw terminal; add "E" suffix to end of Part Number; contact NOARK sales for ordering assistance



Certifications	
IEC/EN 60947-4-1	
CE	UL US

C

50A Lug

60A Lug

Coil Voltage Vac	3 Pole 3NO		3 Pole 3NO		Ratings	50A 3 Poles			60A 3 Poles		
	Product	Part Number	Product	Part Number							
24	Ex9CK50B30B7	1311654	Ex9CK60B30B7	1311668	Full Load Amperes (A)	50	40	32	60	40	32
48	Ex9CK50B30E7	1313851	Ex9CK60B30E7	1313865							
110	Ex9CK50B30F7	1311656	Ex9CK60B30F7	1311670	Conventional Thermal Current (A)	60			75		
120	Ex9CK50B30G7	1311658	Ex9CK60B30G7	1311672							
220	Ex9CK50B30M7	1313855	Ex9CK60B30M7	1313869	Line Voltage (Vac)	240/277	480	600	240/277	480	600
230	Ex9CK50B30P7	1311662	Ex9CK60B30P7	1311676							
240	Ex9CK50B30U7	1311666	Ex9CK60B30U7	1311680	Locked Rotor (A)	300	215	175	360	215	175
277	Ex9CK50B30N7	1311660	Ex9CK60B30N7	1311674							
380	Ex9CK50B30Q7	1313859	Ex9CK60B30Q7	1313873							
440	Ex9CK50B30R7	1313863	Ex9CK60B30R7	1313877							
480	Ex9CK50B30T7	1311664	Ex9CK60B30T7	1311678							
600	Ex9CK50B30Y7	1313853	Ex9CK60B30Y7	1313867							

75A Lug

90A Lug

Coil Voltage Vac	3 Pole 3NO		3 Pole 3NO		Ratings	75A 3 Poles			90A 3 Poles		
	Product	Part Number	Product	Part Number							
24	Ex9CK75B30B7	1311682	Ex9CK90B30B7	1311696	Full Load Amperes (A)	75	60	50	90	75	60
48	Ex9CK75B30E7	1313879	Ex9CK90B30E7	1313893							
110	Ex9CK75B30F7	1311684	Ex9CK90B30F7	1311698	Conventional Thermal Current (A)	90			100		
120	Ex9CK75B30G7	1311686	Ex9CK90B30G7	1311700							
220	Ex9CK75B30M7	1313883	Ex9CK90B30M7	1313897	Line Voltage (Vac)	240/277	480	600	240/277	480	600
230	Ex9CK75B30P7	1311690	Ex9CK90B30P7	1311704							
240	Ex9CK75B30U7	1311694	Ex9CK90B30U7	1311708	Locked Rotor (A)	450	375	300	540	450	360
277	Ex9CK75B30N7	1311688	Ex9CK90B30N7	1311702							
380	Ex9CK75B30Q7	1313887	Ex9CK90B30Q7	1313901							
440	Ex9CK75B30R7	1313891	Ex9CK90B30R7	1313905							
480	Ex9CK75B30T7	1311692	Ex9CK90B30T7	1311706							
600	Ex9CK75B30Y7	1313881	Ex9CK90B30Y7	1313895							

For accessories, see page C69.

Definite Purpose Contactors

Ex9CK Pole Specifications

1 Pole+Shunt	Full Load Amps (A)	Line Voltage (V)	Locked Rotor Amps (A)	Conventional Free Air Thermal Current (A)		
Ex9CK20	20	277	150	32		
Ex9CK25	25					
Ex9CK30	30		200	40		
Ex9CK32	32					
Ex9CK40	40				240	50
2 Poles	Full Load Amps (A)	Line Voltage (V)	Locked Rotor Amps (A)	Conventional Free Air Thermal Current (A)		
Ex9CK20	20	240/277	150	32		
		480	120			
	15	600	90			
Ex9CK25	25	240/277	150		40	
		480	120			
	15	600	90			
Ex9CK30	30	240/277	200	50		
		480	150			
	20	600	120			
Ex9CK32	32	240/277	200		50	
		480	150			
	20	600	120			
Ex9CK40	40	240/277	240	50		
		480	200			
	25	600	160			
3 & 4 Poles	Full Load Amps (A)	Line Voltage (V)	Locked Rotor Amps (A)		Conventional Free Air Thermal Current (A)	Horsepower (hp)
Ex9CK20	20	240/277	150		32	7.5
		480	110			10
	15	600	90	7.5		
Ex9CK25	25	240/277	150	40		10
		480	110			15
	15	600	90			10
Ex9CK30 (3 and 4 Poles)	32	240/277	200		50	15
		480	115			10
	20	600	95			15
Ex9CK32	32	240/277	240	60		10
		480	150			15
	20	600	120			10
Ex9CK40 (3 and 4 Poles)	40	240/277	240		75	20
		480	150			30
	25	600	120			20
Ex9CK50	50	240/277	300	90		15
		480	215			30
	32	600	175			20
Ex9CK60	60	240/277	360		100	25
		480	215			30
	32	600	175			50
Ex9CK75	75	240/277	450	100		30
		480	375			60
	60	600	300			60
Ex9CK90	90	240/277	540		100	30
		480	450			60
	60	600	360			60

Definite Purpose Contactors

Ex9CK Coil Specifications

Ex9CK		20		25		30		32		40	
Poles		1 Pole+Shunt 2 Poles	3 Poles	1 Pole+Shunt 2 Poles	3 Poles	1 Pole+Shunt 2 Poles	3 & 4 Poles	1 Pole+Shunt 2 Poles	3 Poles	1 Pole+Shunt 2 Poles	3 & 4 Poles
Power Consumption	In-Rush (VA)	55	51	55	51	55	51	55	51	55	51
	Sealed (VA)	13	12	13	12	13	12	13	12	13	12
Operation Range	Operation Voltage	85~110% Us									
	Drop-Out Voltage	20~65% Us									
Power Supply Voltage Us		AC 50/60Hz; 24~600 Vac									

Terminal Connection

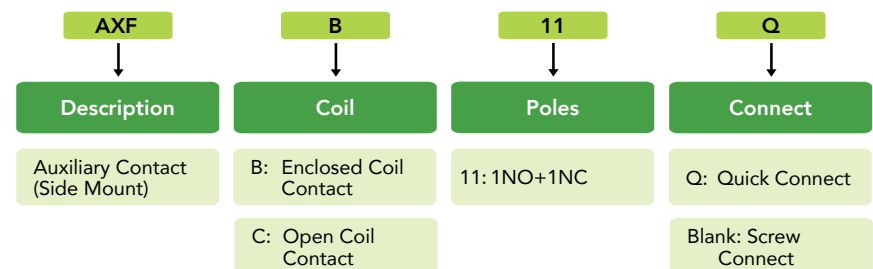
Cable mm ² [AWG] (Cu)	Ridge Wire with Single Core	2.5~6 [14~10]				4~10 [12~8]			
	Flexible Stranded Wire	2.5~4 [14~12]				2.5~6 [14~12]			
Tightening Torque Nm [in-lb]	Coil	-				-			
	Main Circuit	1.8~2 [20]				1.8~2 [20]			

Ex9CK	50	60	75	90
-------	----	----	----	----

Poles		3 Poles		3 Poles		3 Poles		3 Poles	
Power Consumption	In-Rush (VA)	83		83		165		165	
	Sealed (VA)	14		14		30		30	
Operation Range	Operation Voltage	85~110% Us							
	Drop-Out Voltage	20~65% Us							
Power Supply Voltage Us		AC 50/60Hz; 24~600 Vac							

Terminal Connection

Cable mm ² [AWG] (Cu)	Ridge Wire with Single Core	6~16 [10~6]		16~35 [6~3]		25~35 [4~3]	
	Flexible Stranded Wire	4~10 [10~8]		10~25 [8~4]		16~25 [8~4]	
Tightening Torque Nm [in-lb]	Coil	0.8~1.2 [10]					
	Main Circuit	10~14 [40]					



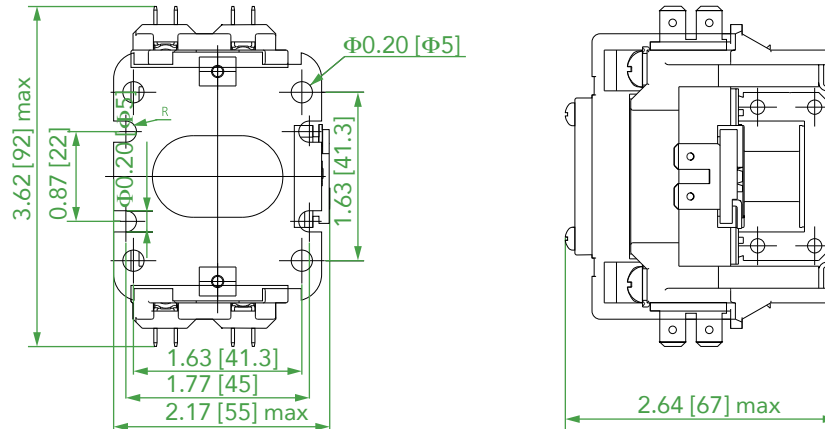
Accessory Description	Matched Contactor	Product	Part Number
Auxiliary Contact (Side Mount)	Ex9CK20~90	AXFB11	1313991
		AXFB11Q	1313992
		AXFC11	1311725

Definite Purpose Contactors

Ex9CK Dimensions

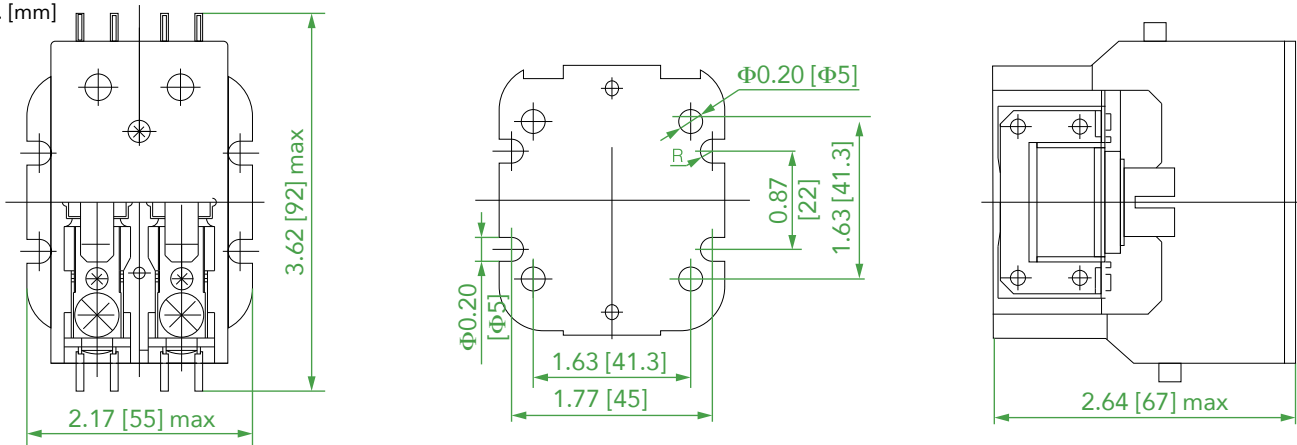
Ex9CK20~40

1 Pole+Shunt
Unit: in. [mm]



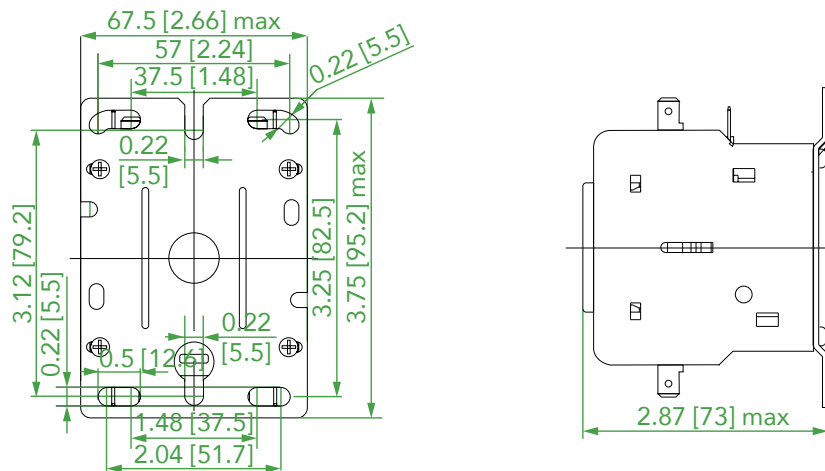
Ex9CK20~40

2 Poles
Unit: in. [mm]



Ex9CK20~40

3 Poles
Unit: in. [mm]

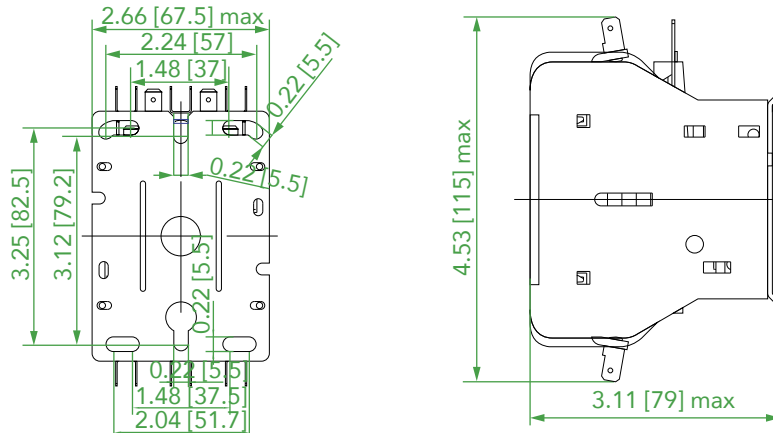


Definite Purpose Contactors

Ex9CK Dimensions

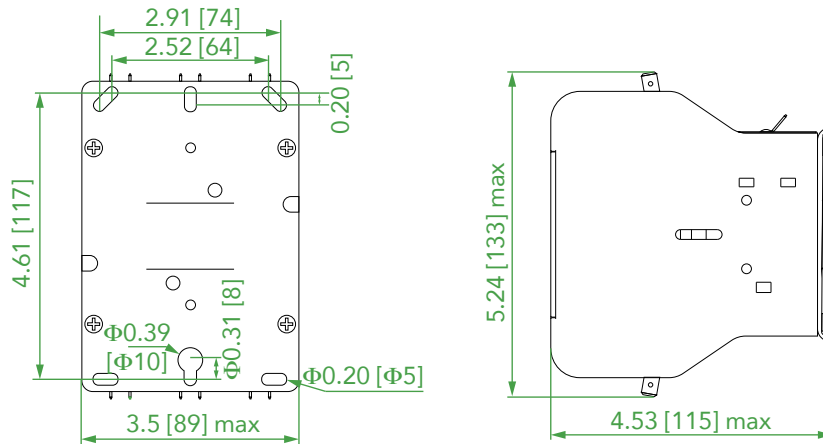
Ex9CK50~60

3 Poles
Unit: in. [mm]



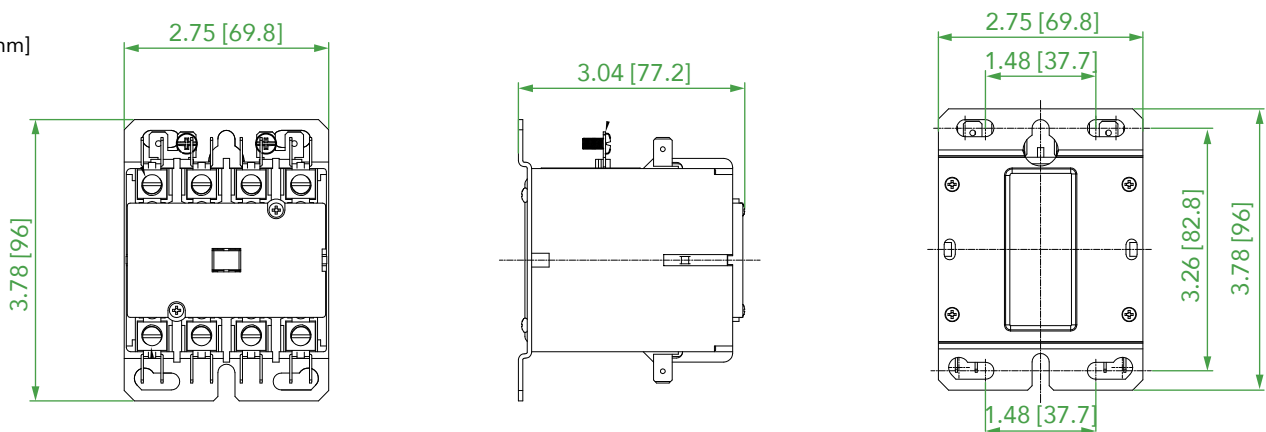
Ex9CK75~90

3 Poles
Unit: in. [mm]



Ex9CK30~40

4 Poles
Unit: in. [mm]



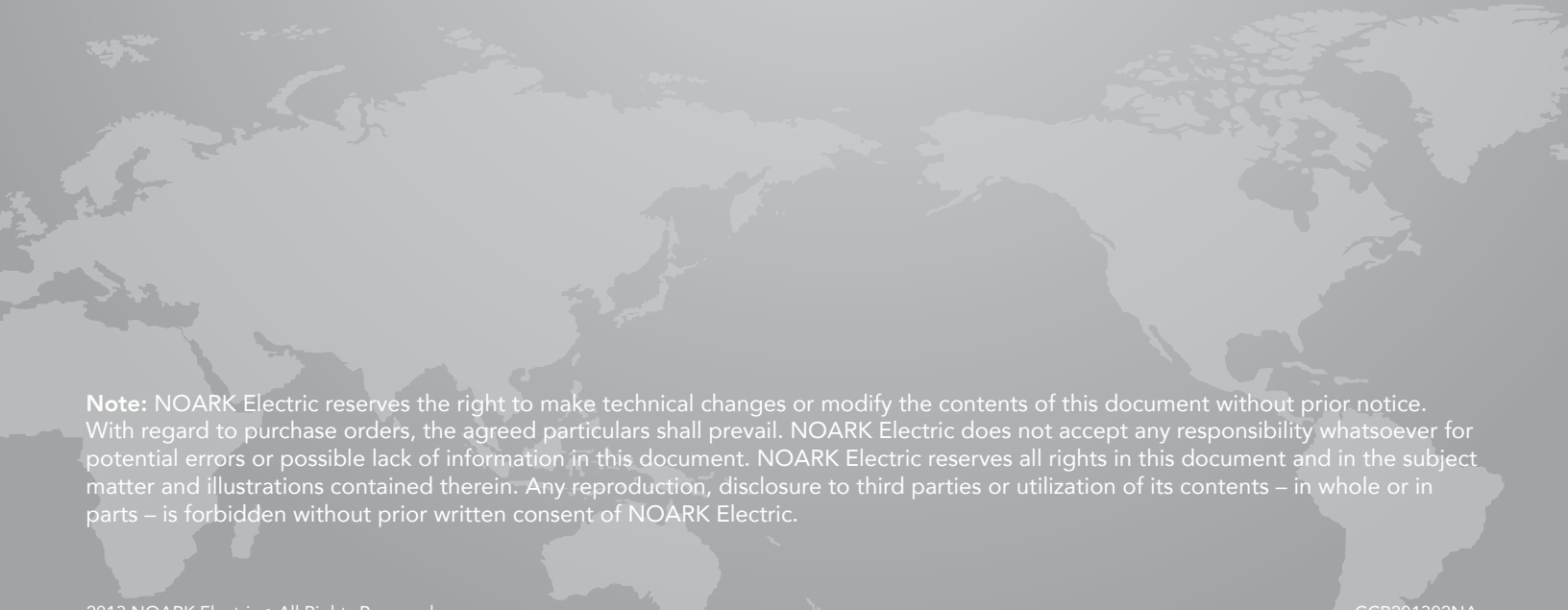
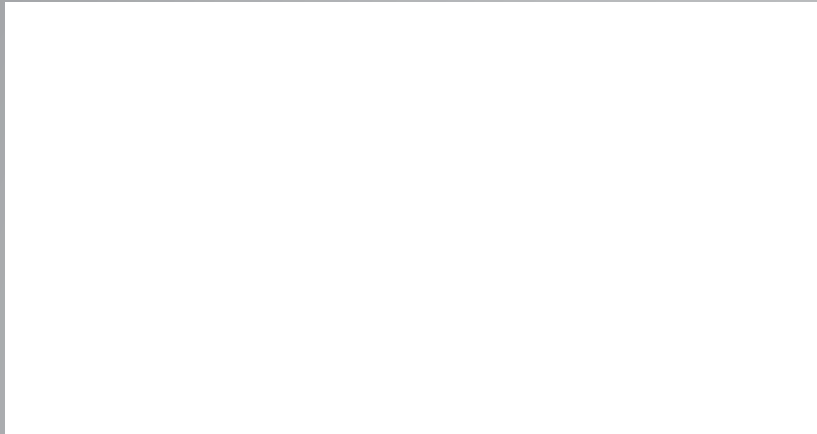
NOARK



NOARK Electric North America

(414) 304-8189

www.NoarkUSA.com • NASales@Noark-Electric.com



Note: NOARK Electric reserves the right to make technical changes or modify the contents of this document without prior notice. With regard to purchase orders, the agreed particulars shall prevail. NOARK Electric does not accept any responsibility whatsoever for potential errors or possible lack of information in this document. NOARK Electric reserves all rights in this document and in the subject matter and illustrations contained therein. Any reproduction, disclosure to third parties or utilization of its contents – in whole or in parts – is forbidden without prior written consent of NOARK Electric.